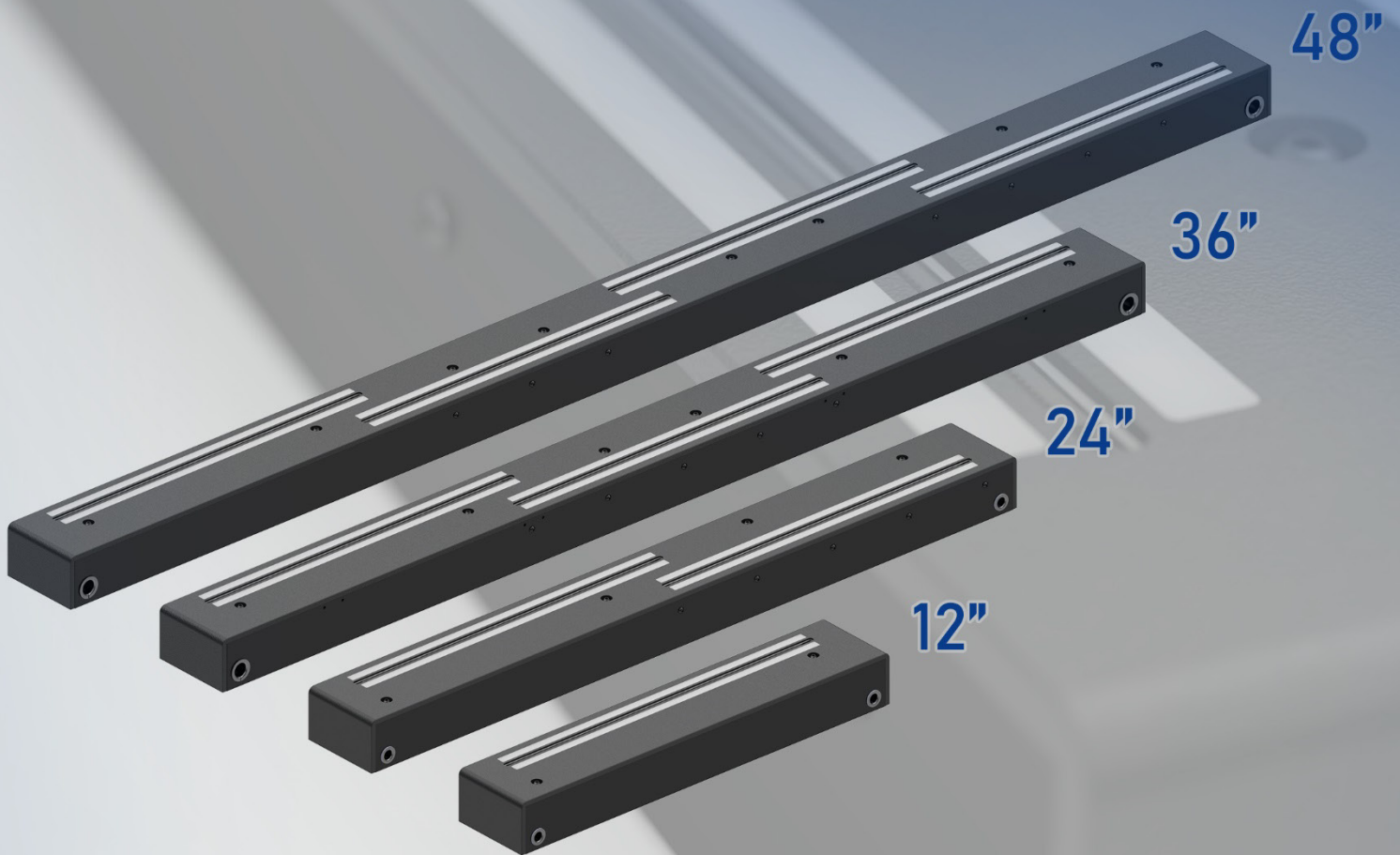


WideSCAN

CIS Scan Line Bars

12", 24", 36", 48"

*Suitable for inline inspection
and scanning applications*



***Four models. Suitable for a wide range
of inline inspection and scanning
applications.***

A New Family of Scan Line Bars: Four Models

Image Access has created a new family of Scan Line Bars suitable for a wide range of inline inspection and scanning applications.

The scan line bars come in four different lengths of 12, 24, 36, and 48 inches. At only 45mm height and 80mm width, they are extremely compact and are a perfect fit for many applications.

In 2021, Image Access began their cooperative effort with Global Graphics Software, developing a solution to enable printer vendors to implement a new family of Image Access scan line bars called WideSCAN into their printers to support the creation of PrintFlat calibrations.

This unique design is based on standard CIS (contact image sensor) technology but features a longer focal range, 17mm above the surface. This allows room for glass flats, transport guides or drums and other hardware.

Illumination, optics and controller are integrated into the case. The WideSCAN bars only need 24V and one or two USB 3 connections. An optional rotary encoder input allows for on the fly synchronization with the speed of the objects scanned.

Features

- Four models - 12", 24", 36" and 48"
- Unbeatable price of only € 100 per inch
- Illumination, optics, controller included.
Needs 24V and one or two USB 3 ports only
- Long focal range of 17mm above surface including a 6mm glass plate. Depth of focus is +/-1mm
- Speed ranges from 6 inches per second at 600dpi color to 68 inches per second at 300dpi monochrome

Speed ranges from 6 inch per second at 600dpi color to 68 inches per second at 300dpi monochrome independent of the length. It can be integrated into almost all single-pass printers for the purpose of nozzle correction and streak elimination.

The scan bars come at an unbeatable price of only € 100 per inch which translates to € 1.200 for the WideSCAN 12, € 2.400 for the WideSCAN 24, €3.600 for the WideSCAN 36 and €4.800 for the WideSCAN 48.

TECHNICAL DATA

WideSCAN 12 / WideSCAN 24	RGB-Color 600x600dpi	RGB-Color 600x300dpi	RGB-Color 300x300dpi	Monochrome 600x600dpi	Monochrome 600x300dpi	Monochrome 300x300dpi
Speed [mm/s]	153	305	580	458	916	1740
Speed [inch/s]	6	12	23	18	36	68
Speed [m/min]	9	18	34	27	54	104
Speed [km/h]	0,5	1,1	2,0	1,6	3,2	6,2
Bandwidth [MB/s] per 1 USB	187	187	178	187	187	178

WideSCAN 36 / WideSCAN 48	RGB-Color 600x600dpi	RGB-Color 600x300dpi	RGB-Color 300x300dpi	Monochrome 600x600dpi	Monochrome 600x300dpi	Monochrome 300x300dpi
Speed [mm/s]	153	305	580	458	916	1740
Speed [inch/s]	6	12	23	18	36	68
Speed [m/min]	9	18	34	27	54	104
Speed [km/h]	0,5	1,1	2,0	1,6	3,2	6,2
Bandwidth [MB/s] per 2 USB (36")	561	561	533	561	561	533
Bandwidth [MB/s] per 2 USB (48")	747	747	710	747	747	710

We can customize the mechanical connections to fit into the customer's machine at an affordable rate. Contact Image Access to discuss further details.



IMAGE ACCESS GMBH

Hatzfelder Str. 161-163
42281 Wuppertal, Germany
Phone: +49 202 27058-0

www.imageaccess.de

IMAGE ACCESS LP

400 N. Belvedere Drive
Gallatin, TN 37066, USA
Phone: +1 (615) 675-4141

www.imageaccess.us