



## Introducing WideTEK® 24F The Revolutionary New Flatbed from Image Access

Wuppertal, Germany – June 8, 2021

While the nearest competitor needs 18 seconds for a full scan at 600dpi, the [WideTEK® 24F](#), completes the same scan in 4 seconds and then, just one second later, it has already performed image cleanup, compression and transfer to anywhere in the network. As always with Image Access scanners, the PC is included inside the scanner and the scanner is fully functional without any costly external software running on an additional PC.

Imagine a scanner that looks like a giant, frameless smart phone. The scratch resistant hardened anti-gloss glass surface stretches across the entire scanning area and there are no obstructions in the way even for the largest objects being scanned. The optional PerfectStitch Software seamlessly stitches together partial scans of documents which can be as large as 36 by 24 inches.

Our revolutionary LF-CIS (Long Focal Contact Image Sensor) technology comes with an extended focal range nearly 8 times greater than any other CIS flatbed scanner. With this extended focal range, you really can scan artwork, books, and other non-flat items at higher resolutions.

The newly developed dual RGB lights with a high quality diffusor guarantee a color gamut and accuracy close to our CCD scanner WideTEK 25, which is the industry benchmark for flatbed scanners.

Feature	WideTEK 24F	Closest competitor
Speed @200dpi color, 18*24"	< 4 seconds	6 seconds
Speed @600dpi color, 18*24"	< 4 seconds	18 seconds
Speed @1200dpi color, 18*24"	< 8 seconds	36 seconds
Internal touch screen	1280*800	800*480
Processor	Intel I3 Gen. 8 quad core	Atom quad core
Memory (RAM/Flash)	8GB / 250GB	8GB / 16GB
Size (width, depth, heights)	730 * 900 * 140 mm	1.176 * 661 * 194 mm

With dimensions only 70% of the height and 60% of the width compared to the closest competitor, the WideTEK 24F deserves to be called a real flatbed scanner which easily fits on nearly any desktop. The WideTEK 24F features a removable and height adjustable lid which accommodates almost all scanning objects.

Whether you need to scan documents, photos, artwork, books, or anything that does not exceed the maximum load of 10Kg or 22lbs, the WideTEK 24F is your best choice.

Sounds expensive? Ask your local reseller for a quote, you will be pleasantly surprised. You can also get a quote from us [by clicking here](#).

**And for the imaging experts and nerds among our customers:** The drive train of the scanner uses an extremely accurate spindle drive, guaranteeing an accuracy of  $\pm 0,3\text{mm}$  along the whole scanning length. The resolution accuracy qualifies this scanner for many quality control applications like scanning solder paste stencils. The telecentric nature of the long focal SELFOC lenses avoid any stitching artifacts even with non-flat scanning objects.

### About Image Access

Image Access is the technology leader in the large format scanning market and offers products in all large format segments: Bookeye® overhead scanners for books more than A1 in size, WideTEK® 36ART contact-free fine art scanner for formats up to 36 x 60 inches, WideTEK® flatbed scanners for formats more than A2 / 25x18.5", WideTEK® sheetfeed scanners for documents between 36", 48" and 60" as well as 36" duplex scanners for high volume production of double sided scans and WideTEK® MFP solutions for every wide format printer on the market.

For more information, visit <https://www.imageaccess.de/> or <https://www.imageaccess.us/>

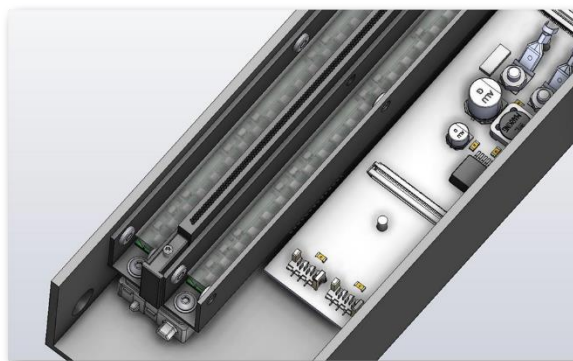
Please direct your questions to:

Debra Ingendoh, 0202 27058-51 [marketing@imageaccess.de](mailto:marketing@imageaccess.de)

Copyright: Image Access



[New Flatbed Scanner WideTEK®24F](#)



[LF-CIS \(Long Focal Contact Image Sensor\)](#)