

Image Access CEO Thomas Ingendoh Interview at the VISION 2024

Wuppertal, Germany – October 23, 2024

From October 8 to 10, 2024, Image Access exhibited at [VISION 2024](#) in Stuttgart, Germany. VISION is the world's leading trade fair for machine vision and provides an overview of all important trends, suppliers and innovations in the machine vision market.



Image Access exhibited at this highly specialized trade show, to demonstrate their [WideSCAN scan line bars](#) and other image processing solutions. The scan line bars come in four different lengths: WideSCAN 12 (305mm), WideSCAN 24 (610mm), WideSCAN 36 (915mm), and WideSCAN 48 (1220mm), and are suitable for a wide range of machine vision inline inspection and other scanning applications. These scan line bars are based on standard CIS (contact image sensor) technology but feature a longer focal range, allowing room for glass flats, transport guides or drums and other hardware.

[Detailed specifications, scanning speeds and product brochures are available on the WideSCAN web page.](#) The scan bars come at unbeatable prices of only € 100 per inch which translates to € 1.200 for the WideSCAN 12, € 2.400 for the WideSCAN 24, €3.600 for the WideSCAN 36 and €4.800 for the WideSCAN 48. This means that solutions are much more affordable than the competition, making machine vision imaging a real possibility on the factory floor.

You can [visit Image Access's YouTube channel](#) for more videos or [visit our homepage](#) for details on the entire range of Image Access scanning solutions.

About Image Access

Image Access is the technology leader in the large format scanning market and offers products in all large format segments: Bookeye® overhead scanners for books more than A1 in size, WideTEK® ART contact-free fine art scanner for formats up to 60 x 80 inches, WideTEK® flatbed scanners for formats more than A1 / 36x24", WideTEK® sheetfeed scanners for documents between 36", 48" and 60" as well as WideTEK® MFP solutions for every wide format printer on the market.

For more information, visit <https://www.imageaccess.de/> or <https://www.imageaccess.us/>

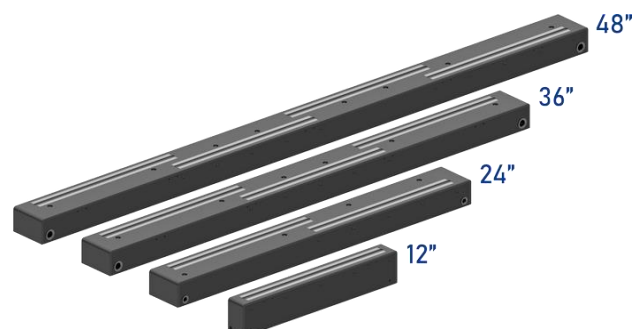
Please direct your questions to:

Maria Blönnigen, 0202 27058-0 marketing@imageaccess.de

Copyright: Image Access



[Interview with CEO Thomas Ingendoh at Image Access' VISION 2024 booth](#)



[WideSCAN scan line bars](#)