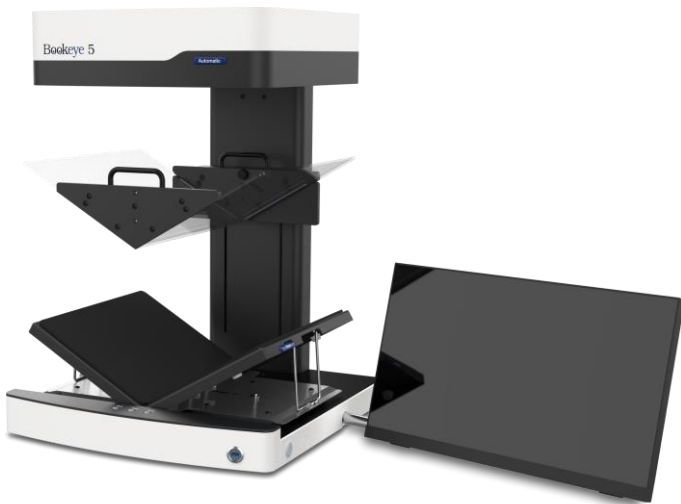




Bookeye<sup>®</sup> 5 V2A/V3A



Setup instructions  
English

10/2022

---

## Table of Contents

<b>Revision overview .....</b>	<b>3</b>
<b>Notes on the instructions and the manufacturer .....</b>	<b>3</b>
Keep instructions available .....	3
Design features in the text .....	4
Design features in illustrations .....	5
Associated documents .....	5
Copyright .....	6
Contact details of the manufacturer in Germany .....	6
Technical support .....	6
Contact details of the manufacturer in the USA .....	6
<b>Description .....</b>	<b>7</b>
Task and function.....	7
User interfaces.....	7
<b>Mount V-glass plate .....</b>	<b>10</b>
<b>Move V-glass plate.....</b>	<b>14</b>
<b>Contact pressure and speed .....</b>	<b>15</b>
<b>Automatic scan mode .....</b>	<b>15</b>
<b>Emergency stop .....</b>	<b>15</b>
<b>Other notes.....</b>	<b>16</b>

## Revision overview

Date	Rev.	Name	Description of change	Reason for change
30.07.2021	1.0	TI/JKN	First draft	First published version
07.10.2022	1.1	JKN	Second draft	Updated version

## Notes on the instructions and the manufacturer

The following instructions describe the installation and operation of the Bookeye V2 and V3 variants with motorized V-glass plates. Knowledge of the setup instructions for the standard devices without motorized V-glass plate is assumed. The V-glass plate is controlled either manually or automatically. In the manual setting, the V-glass plate is moved to the opening position by pressing a button and to the scanning position by pressing another button. A scan can then be initiated by pressing one of the scan start buttons. In the automatic setting, when one of the scan start buttons is pressed, the V-glass plate is moved down to the scan position, the scan is triggered, and the V-glass plate is moved back to the upper opening position. The V-glass plate can also be removed completely. By subsequently pressing the park position button, the glass plate holder moves all the way up to the park position.

### Keep instructions available

This manual is part of the scanner.

- Always keep this manual with the scanner.
- Make sure the manual is available to the user.
- Include this manual when selling or otherwise transferring the scanner.

## Design features in the text

Various elements of this guide have specified design features. This allows you to easily distinguish the following elements:

normal text

**BUTTONS OF THE SCREEN**

"menu labels"

➤ Action steps

- first level enumeration

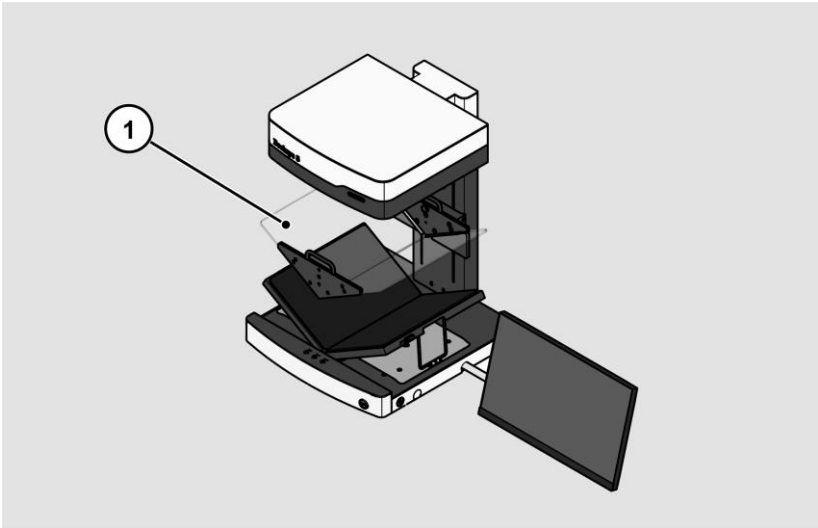
*Cross-references*



Tips contain additional information, such as special details on preparing and executing the setup.

## Design features in illustrations

When elements are referred to in a legend or in the running text, they are given a number (1).



## Associated documents

The accompanying documents include:

- Unpacking and packing instructions,
- Setup instructions,
- Legal information (EC declaration of conformity, safety and EMC certificates, RoHS etc.).

## **Copyright**

This manual contains information that is subject to copyright. This manual may not be copied, printed, filmed, processed, reproduced or distributed in any form, in whole or in part, without the prior written permission of Image Access GmbH.

© Image Access GmbH 2021

All rights reserved.

## **Trademark**

Scan2Net®, Scan2Pad®, Bookeye® and WideTEK® are registered trademarks of Image Access, all other trademarks belong to their respective owners.

## **Contact details of the manufacturer in Germany**

Image Access GmbH

Hatzfelderstraße 161-163

42281 Wuppertal

Tel.: +49-202-27058-0

E-Mail: [dokumentation@imageaccess.de](mailto:dokumentation@imageaccess.de)

Internet address: [www.imageaccess.de](http://www.imageaccess.de)

## **Technical support**

You can reach Image Access GmbH technical support at the following e-mail address: [support@imageaccess.de](mailto:support@imageaccess.de).

## **Contact details of the manufacturer in the USA**

Image Access LP

400 N. Belvedere Drive

Gallatin, TN 37066 USA

Tel.: +1 (224) 293-2585

E-Mail: [support@imageaccess.us](mailto:support@imageaccess.us)

Internetadresse: [www.imageaccess.us](http://www.imageaccess.us)

## **Description**

### **Task and function**

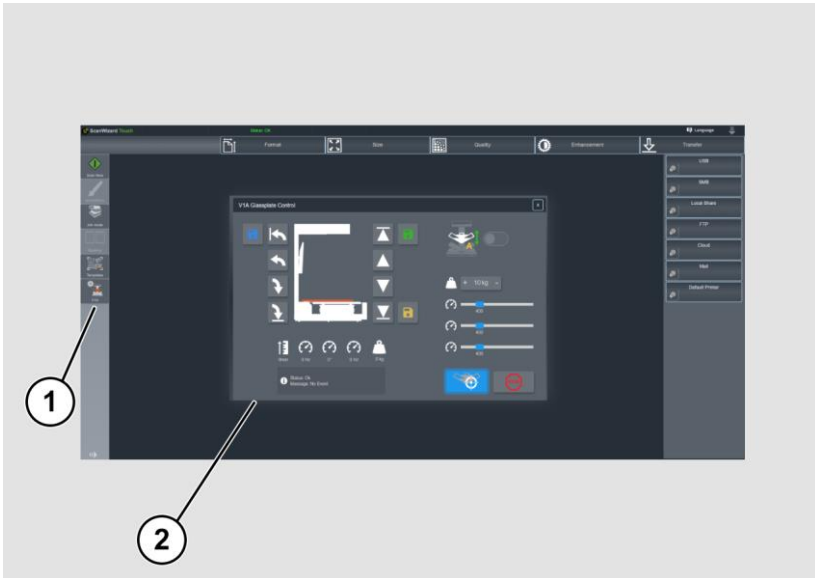
The scanner is used to scan images and documents of all types. The characteristics of the documents, such as size, thickness, etc., must comply with the specifications found in the technical data. The scanner is intended for use in closed rooms in the commercial sector.

### **User interfaces**

The scanner can be operated in four ways.

- Via the touch screen and the ScanWizard Touch user interface.
- Via EasyScan or a client application.
- Via a standard web browser and the ScanWizard Client interface.
- Via external scanning applications.

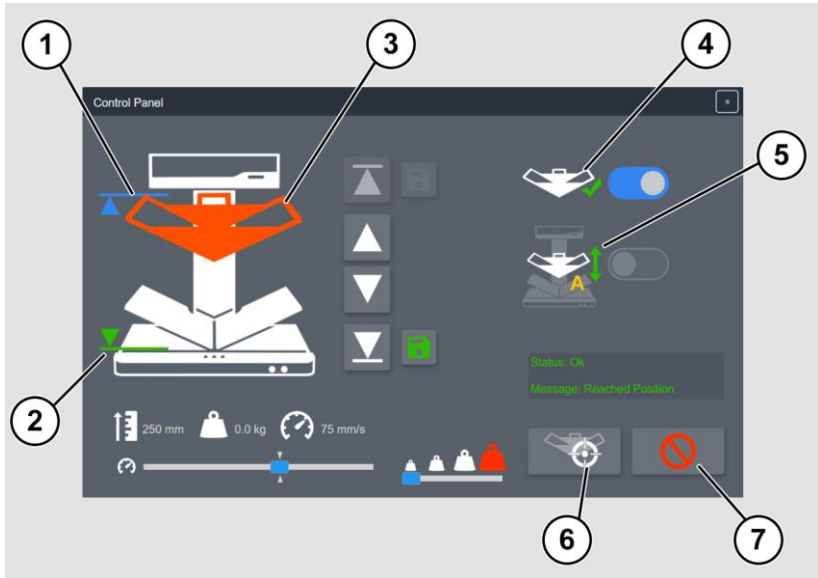
The following figure shows the ScanWizard Touch user interface.










No.	Designation
1	Button Control Panel
2	Control Panel



The illustration below shows the ScanWizard Touch V-glass plate control panel and its controls with the V-glass plate in place.



No.	Symbol	Designation
1		Current opening position
2		Current scan position
3		Current glass plate position
4		Glass plate mounted or removed
5		Automatic mode
6		INIT
7		Emergency stop

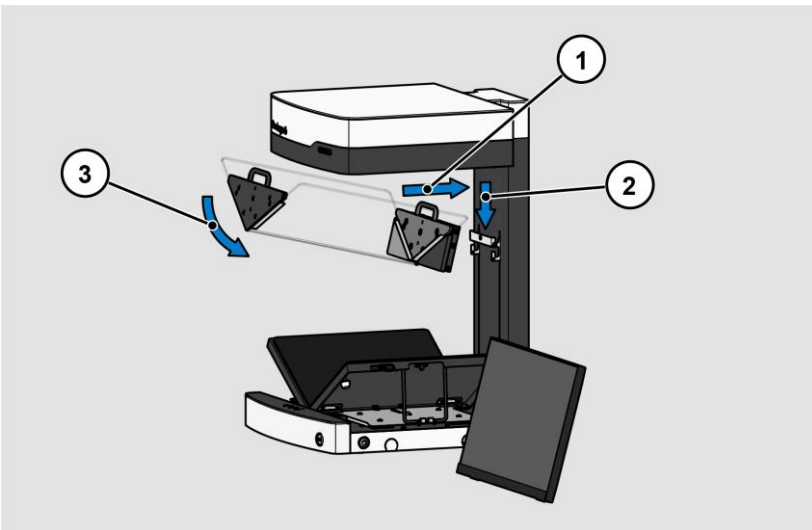
## Mount V-glass plate



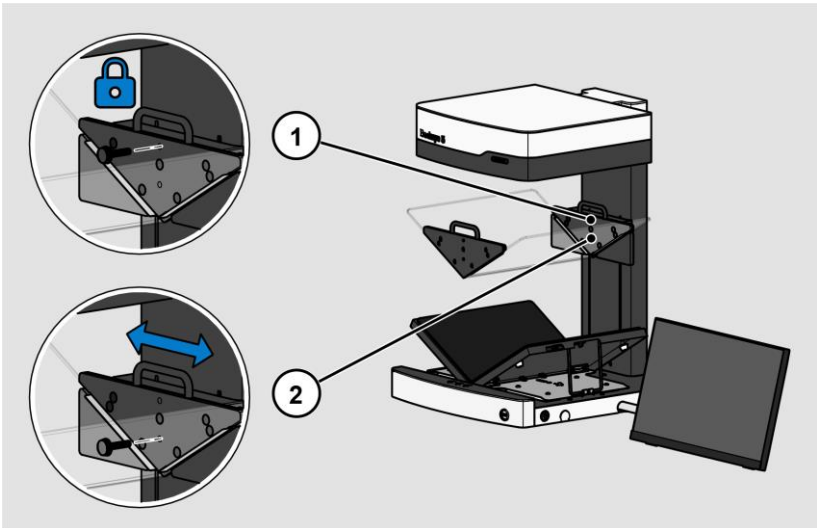
- Start the Bookeye 5 glass plate control via the CONTROL PANEL button in the menu bar of the ScanWizard Touch interface.



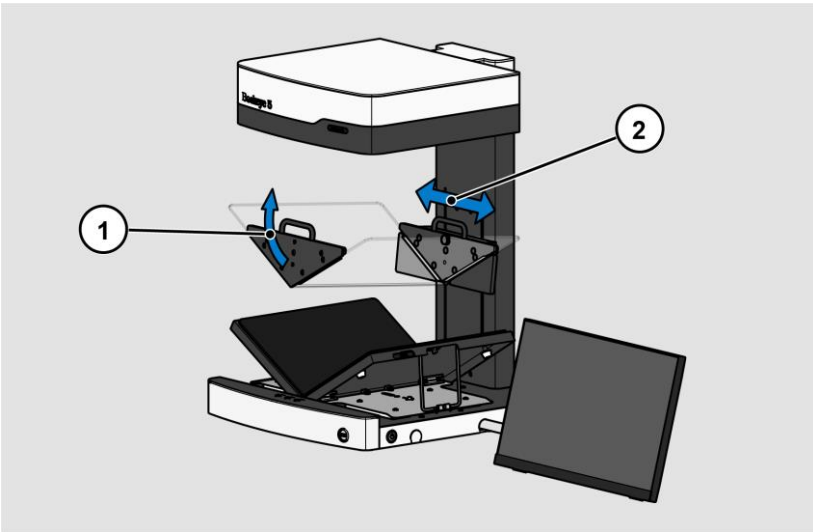
- The V-glass plate is hooked into or unhooked from the holder (2). It must always be held by the two handles!
- Lift a little more at the front when hooking and unhooking (3).



The glass plate holder offers two positions for the fixing screw:



1. When the locking screw is screwed in the upper position (1), the position of the glass plate remains constant in the horizontal plane during scanning. It is intended for scanning thinner books.
2. When the locking screw is screwed in the lower position (2), the position of the glass plate remains movable in the horizontal plane during scanning, as shown in the figure below. It is intended for scanning thick books where, due to the continuous turning of the pages, the center of the book moves to the right or left and the position of the V-glass plate as well as the position of the two book plates is tracked.



If either the glass plate is mounted or an operation without glass plate is desired, the button INIT for initializing the glass plate must be pressed. The function measures out whether a V-glass plate is installed or not.

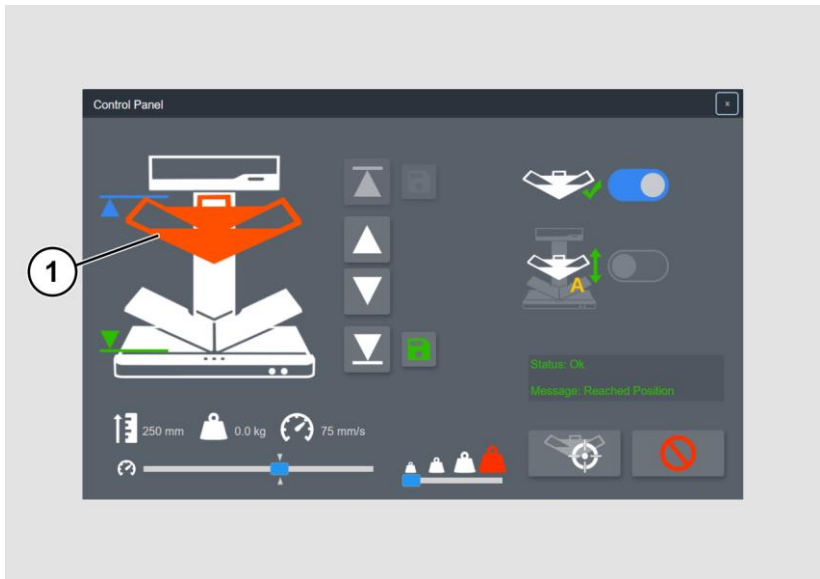


Performs an initialization run and detects whether a glass plate is installed.

Always perform the INIT function:

- After installing or changing the glass plate,
- after an emergency stop.

If a V-glass plate was found, this is displayed in the V-glass plate control panel (1).



- Press the CHANGE GLASSPLATE button when removing or remounting the V-glass plate. Afterwards, an INIT is always required.

## Move V-glass plate



- Use the MAX button to move the glass plate holder to the highest position.



- Use the MIN button to move the glass plate holder to the lowest position.



- Use these buttons to move the glass plate up or down in small steps. The glass plate only moves as long as the button is pressed.



- Save the opening position of the glass plate by pressing the SAVE OPEN button. This can be any manually moved position. When the glass plate is exactly at this position, the button turns grey.



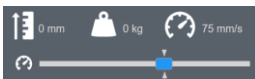
- Save the opening position of the glass plate by pressing the SAVE SCAN button. This position is selected manually for each book. If it is moved further down, the contact pressure on the book pages increases. When the glass plate is exactly in this position, the button turns grey.

## Contact pressure and speed

When the glass plate is lowered, the contact pressure is always monitored. Depending on the condition of the book, this should not be higher than necessary.



- Use the PRESSURE slider to determine the correct contact pressure for the book being used in four stages. The last step on the right side disables the monitoring. This level should only be selected in exceptional cases.



- The slider changes the traversing speed. This is displayed at the top right in the unit mm/s.

This field also displays the current height of the glass plate drive in the unit mm as well as the contact pressure in the unit kg.

## Automatic scan mode



- Activate the automatic scan mode.  
The glass plate moves down to the defined scan position.  
The scan is triggered.  
The glass plate moves up to the defined opening position.

## Emergency stop



- The EMERGENCY STOP button immediately interrupts any mechanical movement of the glass plate. During an automatic scan, the Emergency Stop button is always displayed in the center of the screen, even if the V-glass plate control panel is hidden.

## Other notes

The saved scan positions are always reset when the ScanWizard user changes or when the scanner is switched off.



A scan can be started using the following options:

- ScanWizard Touch SCAN START button,
- the two scan keys at the book cradle plates,
- Scan button,
- Foot switch.



In automatic mode, the scan can also be started with this button.

End of the document