

WideTEK[®]

Legal Information

Legal Information US & Canada

Rechtliche Informationen

Información Legal

Informations juridiques

Informazioni legali

Informacje prawne

Právní informace

Juridiske oplysninger

Title	Legal Information	
Products	WT24F-600	
Revision	2.2	
Date	17.05.2022	

Declaration of Conformity (EU)

According to ISO/IEC 17050-1 and EN 17050-1

The manufacturer

Manufacturer	Image Access GmbH, Wuppertal, Germany
---------------------	---------------------------------------

declares that the product

Product	WideTEK 24F
Model designation	WT24F-600*

conforms to the following regulations

Safety	IEC/EN 62368-1:2014 Ed.2, AUS/NZL 62368-1:2014 Ed.2
	UL 62368-1:2014 Ed.2, CSA 62368-1:2014 Ed.2
EMC	EN 55032:2015+A11:2020, CISPR32, EN 55035:2017+A11:2020, CISPR24
	EN 61000-3-2:2014, EN 61000-3-3:2013, FCC CFR 47 Part 15 (B)
RoHS	Directive 2011/65/EU (RoHS 2), SJ/T 11364 (China RoHS), India E-waste Rule 2011
Efficiency	DOE Level VI / CEC Level VI / Eco-design Directive 2009/125/EC, (EU) 2019/1782

The product herewith complies with the requirements of the Low Voltage Directive 2014/35/EU, the EMC Directive 2014/30/EU, the RoHS Directive 2011/65/EU and carries the CE marking accordingly. In addition, it complies with the WEEE Directive 2012/19/EU.

July 2022, Image Access GmbH, Germany

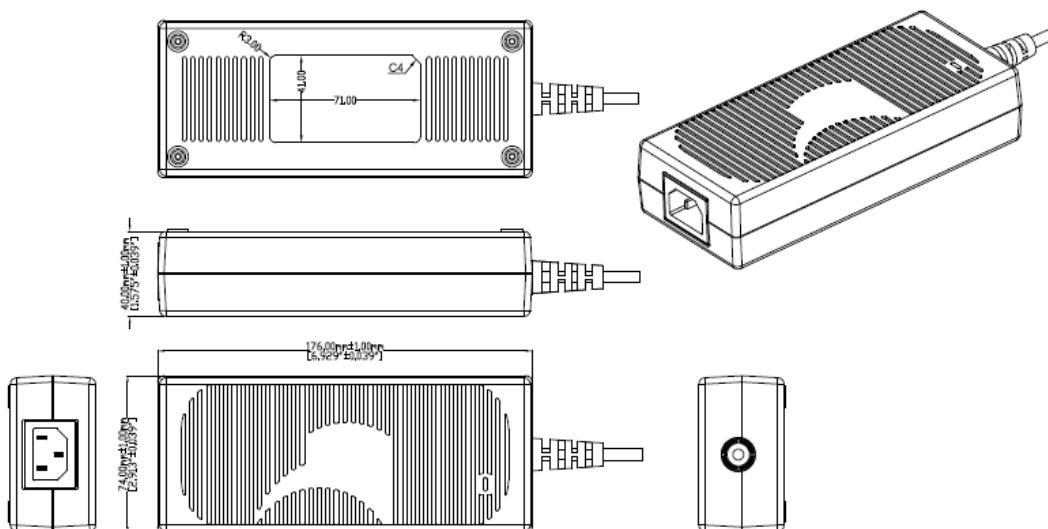


Thomas Ingendoh, CEO

External Power Supply

Medical / ITE / Household Power Supply

Part Number	TR9CI7500YL4CIMR6B
Manufacturer	GlobTek, Inc,
Regulatory Model	GTM961800P
Type	Regulated Switchmode AC/DC Power Supply AC Adaptor
Category	Medical/ITE/Household use Power Supply
Input Voltage Range	100 – 240V~, 50-60Hz
Max. Input Current	2,2A
Input Connector	IEC 60320/C14
Output Voltage	24VDC, 7,5A
Max. Output Power Rating	180W, Power rating with convection cooling.
Output Connector	KPPX-4P, Pin 1,4 -> 24V, Pin 2,3 -> GND, Shell -> AC Earth
Efficiency	DOE Level VI / CEC Level VI / Eco-design Directive 2009/125/EC, (EU) 2019/1782
Protection	IP41
Size	176.5*74*40mm
Ambient Temperature	0 – 40°,
Approvals	cETLus 60601-1-11; cETLus 60950-1; cETLus 60601-1 3rd; CB 60601-1-11; CB 60601-1; cETLus; S-Mark IEC/EN 60601-1; WEEE; Ukraine; PSE; VCCI; Level VI; China RoHS; CE; EAC; Class I; RoHS; CB 60950; CB 60335; CCC; CB 62368; S-Mark 60950;
Agency Documents	www.globtek.info/certs/GTM961800P/



Regulatory Statements Ecological

Lithium Battery

This product contains a lithium battery located on an internal motherboard. The battery is used to maintain data integrity of real-time clock and the BIOS settings and is designed to last the life of the product. Any attempt to service or replace this battery should be performed by a qualified service technician. The battery may require special handling at the end of its life.



Disposal of Waste Equipment by Users

This symbol means do not dispose of your product with your other household waste. Instead, you should protect human health and the environment by handing over your waste equipment to a designated collection point for the recycling of waste electrical.



Cleaning Procedures

Use a damp microfiber cloth to clean all non-electric parts of the products. Metal parts and glass plates can be cleaned using a standard glass cleaner. Do not use alcohol, ethanol or any other organic solvents since they may destroy the surface of the product.

RoHS Declaration

This product complies with the **Restriction of Hazardous Substances Directive 2011/65/EU (RoHS 2)** and prohibits use of lead, mercury, hexavalent chromium, polybrominated biphenyls or polybrominated diphenyl ethers in concentrations exceeding 0.1 weight % and 0.01 weight % for cadmium.



Quality Management System

The Quality Management System of Image Access GmbH, Wuppertal, Germany has been assessed and registered by Intertek Certification GmbH as conforming to the requirements of DIN EN ISO 9001:2015. The Quality Management System is applicable to the Design, Manufacturing and Sales of Scanner and Scanner Components.



Open Source Acknowledgments

This product includes software published by the Apache Software Foundation www.apache.org

This product includes software published by the Open Source Initiative. www.opensource.org

This product includes software published by the Free Software Foundation www.gnu.org/licenses/gpl.html

This product is based in part on the work of the Independent JPEG Group. www.jpeg.org

In accordance with the GNU General Public License and all other used software licenses, Image Access is providing you with this written offer to receive on a CD-R, at the cost of \$50, a complete machine-readable copy of the source code of all licensed software used in this product. You can request this CD-R from your local Image Access representative.

WideTEK[®]

Legal Information US, CA & UK

Title	Legal Information	
Products	WT24F-600	
Revision	2.0	
Date	17.05.2022	

Declaration of Conformity (US & CA)

According to ISO/IEC 17050-1 and EN 17050-1

The manufacturer

Manufacturer	Image Access GmbH, Wuppertal, Germany
---------------------	---------------------------------------

declares that the product

Product	WideTEK 24F
Model designation	WT24F-600*

conforms to the following regulations

Safety	IEC/EN 62368-1:2014 Ed.2, AUS/NZL 62368-1:2014 Ed.2
	UL 62368-1:2014 Ed.2, CSA 62368-1:2014 Ed.2
EMC	EN 55032:2015+A11:2020, CISPR32, EN 55035:2017+A11:2020, CISPR24
	EN 61000-3-2:2014, EN 61000-3-3:2013, FCC CFR 47 Part 15 (B)
RoHS	Directive 2011/65/EU (RoHS 2), SJ/T 11364 (China RoHS), India E-waste Rule 2011
Efficiency	DOE Level VI / CEC Level VI / Eco-design Directive 2009/125/EC, (EU) 2019/1782

The product herewith complies with the requirements of the Low Voltage Directive 2014/35/EU, the EMC Directive 2014/30/EU, the RoHS Directive 2011/65/EU and carries the **CE** marking accordingly. In addition, it complies with the WEEE Directive 2012/19/EU.

This device complies with part 15 of the FCC Rules. Operation is subject to the following two conditions:

- (1) This device may not cause harmful interference, and
- (2) This device must accept any interference received, including interference that may cause undesired operation.

July 2022, Image Access GmbH, Germany



Thomas Ingendoh, CEO

Declaration of Conformity (UK)

According to ISO/IEC 17050-1 and ISO/IEC 17050-2

The manufacturer


Manufacturer	Image Access GmbH, Wuppertal, Germany
---------------------	---------------------------------------

declares that the product

Product	WideTEK 24F
Model designation	WT24F-600*

conforms to the following regulations

Safety	The Electrical Equipment (Safety) Regulations 2016 UK SI 2016 No. 1101
EMC	The Electromagnetic Compatibility Regulations 2016 UK SI 2016 No. 1091
RoHS	The Restriction of the Use of Certain Hazardous Substances in Electrical and Electronic Equipment Regulations 2012 UK SI 2012 No. 3032
Efficiency	DOE Level VI / CEC Level VI / Eco-design Directive 2009/125/EC, (EU) 2019/1782

The product herewith complies with the requirements of Electrical Equipment (Safety) Regulations 2016, Electromagnetic Compatibility Regulations 2016, The Restriction of the Use of Certain Hazardous Substances in Electrical and Electronic Equipment regulations 2012, and following amendments, and carries the  mark accordingly

March 2022, Image Access GmbH, Germany



Thomas Ingendoh, CEO

Local contact for regulatory topics only

Covergold Limited, 39 Tenter Road, Moulton Park, Northampton, NN3 6AX, United Kingdom

Electromagnetic Compatibility (EMC)

FCC Statements (USA)

The U.S. Federal Communications Commission (in 47 cfr15.105) has specified that the following notices be brought to the attention of users of this product.

This device complies with part 15 of the FCC rules. Operation is subject to the following two conditions:

- (1) this device may not cause harmful interference, and
- (2) this device must accept any interference received, including interference that may cause undesired operation.

Modifications (part 15.21): The FCC requires the user to be notified that any changes or modifications made to this device that are not expressly approved by Image Access may void the user's authority to operate the equipment.

Shielded cables: use of shielded data cables is required to comply with the Class A limits of Part 15 of the FCC Rules.

Note: This equipment has been tested and found to comply with the limits for a Class A digital device, pursuant to part 15 of the FCC Rules. These limits are designed to provide reasonable protection against harmful interference when the equipment is operated in a commercial environment. This equipment generates, uses, and can radiate radio frequency energy and, if not installed and used in accordance with the instructions, may cause harmful interference to radio communications. Operation of this equipment in a residential area is likely to cause harmful interference, in which case users will be required to correct the interference at their own expense.

DOC Statements (Canada)

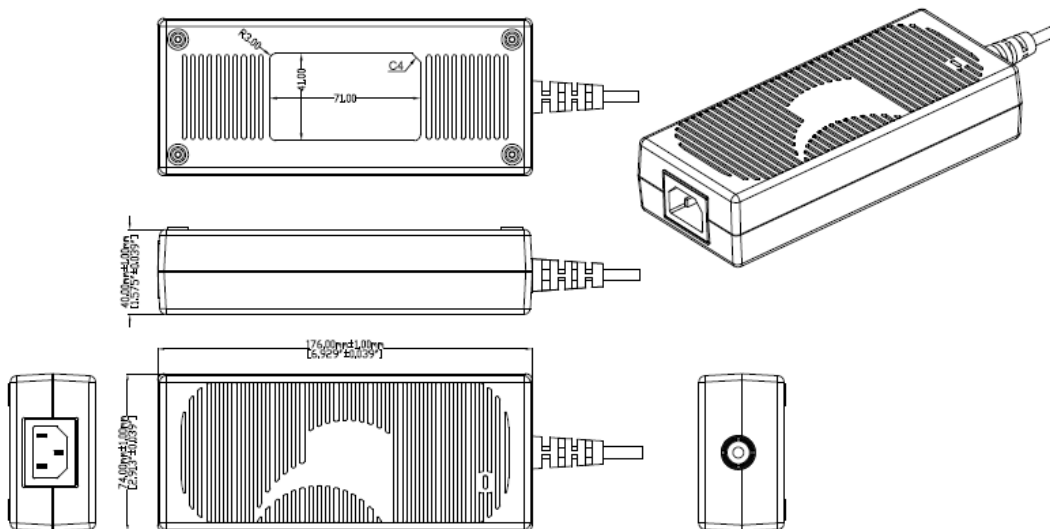
This digital apparatus does not exceed the Class A limits for radio noise emissions from digital apparatus set out in the Radio Interference Regulations of the Canadian Department of Communications.

Le présent appareil numérique n'émet pas de bruits radioélectriques dépassant les limites applicables aux appareils numériques de Classe A prescrites dans le règlement sur le brouillage radioélectrique édicté par le Ministère des Communications du Canada.

External Power Supply

Medical / ITE / Household Power Supply

Part Number	TR9CI7500YL4CIMR6B
Manufacturer	GlobTek, Inc,
Regulatory Model	GTM961800P
Type	Regulated Switchmode AC/DC Power Supply AC Adaptor
Category	Medical/ITE/Household use Power Supply
Input Voltage Range	100 – 240V~, 50-60Hz
Max. Input Current	2,2A
Input Connector	IEC 60320/C14
Output Voltage	24VDC, 7,5A
Max. Output Power Rating	180W, Power rating with convection cooling.
Output Connector	KPPX-4P, Pin 1,4 -> 24V, Pin 2,3 -> GND, Shell -> AC Earth
Efficiency	DOE Level VI / CEC Level VI / Eco-design Directive 2009/125/EC, (EU) 2019/1782
Protection	IP41
Size	176.5*74*40mm
Ambient Temperature	0 – 40°,
Approvals	cETLus 60601-1-11; cETLus 60950-1; cETLus 60601-1 3rd; CB 60601-1-11; CB 60601-1; cETLus; S-Mark IEC/EN 60601-1; WEEE; Ukraine; PSE; VCCI; Level VI; China RoHS; CE; EAC; Class I; RoHS; CB 60950; CB 60335; CCC; CB 62368; S-Mark 60950;
Agency Documents	www.globtek.info/certs/GTM961800P/



Regulatory Statements Ecological

Lithium Battery

This product contains a lithium battery located on an internal motherboard. The battery is used to maintain data integrity of real-time clock and the BIOS settings and is designed to last the life of the product. Any attempt to service or replace this battery should be performed by a qualified service technician. The battery may require special handling at the end of its life.



Disposal of Waste Equipment by Users

This symbol means do not dispose of your product with your other household waste. Instead, you should protect human health and the environment by handing over your waste equipment to a designated collection point for the recycling of waste electrical.



Cleaning Procedures

Use a damp microfiber cloth to clean all non-electric parts of the products. Metal parts and glass plates can be cleaned using a standard glass cleaner. Do not use alcohol, ethanol or any other organic solvents since they may destroy the surface of the product.

RoHS Declaration

This product complies with the **Restriction of Hazardous Substances Directive 2011/65/EU (RoHS 2)** and prohibits use of lead, mercury, hexavalent chromium, polybrominated biphenyls or polybrominated diphenyl ethers in concentrations exceeding 0.1 weight % and 0.01 weight % for cadmium.



Quality Management System

The Quality Management System of Image Access GmbH, Wuppertal, Germany has been assessed and registered by Intertek Certification GmbH as conforming to the requirements of DIN EN ISO 9001:2015. The Quality Management System is applicable to the Design, Manufacturing and Sales of Scanner and Scanner Components.



Open Source Acknowledgments

This product includes software published by the Apache Software Foundation www.apache.org

This product includes software published by the Open Source Initiative. www.opensource.org

This product includes software published by the Free Software Foundation www.gnu.org/licenses/gpl.html

This product is based in part on the work of the Independent JPEG Group. www.jpeg.org

In accordance with the GNU General Public License and all other used software licenses, Image Access is providing you with this written offer to receive on a CD-R, at the cost of \$50, a complete machine-readable copy of the source code of all licensed software used in this product. You can request this CD-R from your local Image Access representative.

WideTEK[®]

Rechtliche Informationen

Deutsch

Titel	Rechtliche Informationen	
Produkt	WT24F-600	
Revision	2.2	
Datum	17.05.2022	

Konformitätserklärung (EU)

Nach ISO/IEC 17050-1 und EN 17050-1

Der Hersteller

Hersteller	Image Access GmbH, Wuppertal, Deutschland
-------------------	---

erklärt, dass das Produkt

Produkt	WideTEK 24F
Model	WT24F-600*

die folgenden Produktspezifikationen und Vorschriften erfüllt

Sicherheit	IEC/EN 62368-1:2014 Ed.2, AUS/NZL 62368-1:2014 Ed.2
	UL 62368-1:2014 Ed.2, CSA 62368-1:2014 Ed.2
EMV	EN 55032:2015+A11:2020, CISPR32, EN 55035:2017+A11:2020, CISPR24
	EN 61000-3-2:2014, EN 61000-3-3:2013, FCC CFR 47 Part 15 (B)
RoHS	Directive 2011/65/EU (RoHS 2), SJ/T 11364 (China RoHS), India E-waste Rule 2011
Wirkungsgrad	DOE Level VI / CEC Level VI / Eco-design Directive 2009/125/EC, (EU) 2019/1782

Hiermit wird bestätigt, dass das Produkt die Anforderungen der Niederspannungsrichtlinie 2014/35/EU, der EMV-Richtlinie 2014/30/EU, sowie die 2011/65/EU erfüllt und dementsprechend mit dem **CE** Kennzeichen gekennzeichnet wurde. Darüber hinaus entspricht es der WEEE-Richtlinie 2012/19/EU.

Juli 2022, Image Access GmbH, Wuppertal

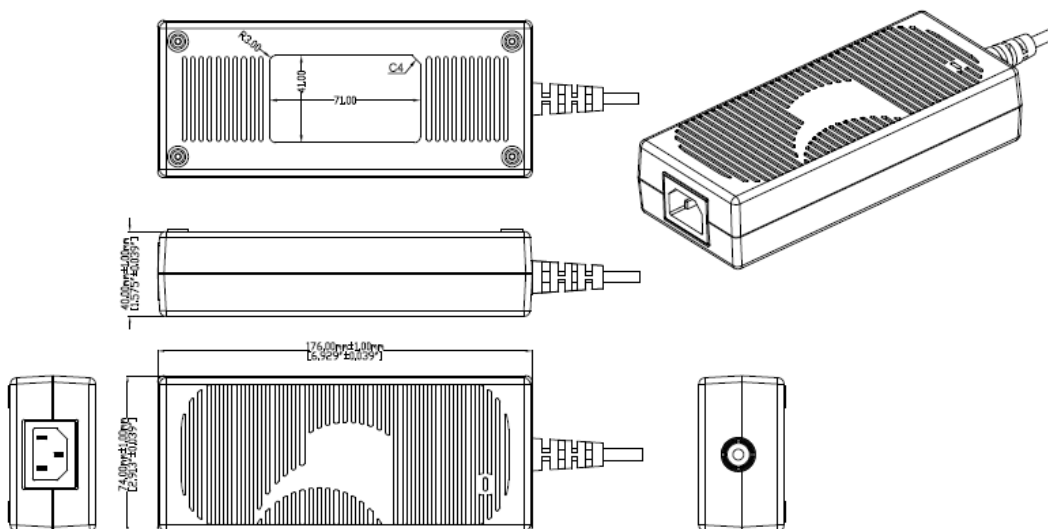


Thomas Ingendoh, CEO

Externes Netzgerät

Netzgerät für Medizin / ITE / Haushalt

Teile Nummer	TR9CI7500YL4CIMR6B
Herstellerr	GlobTek, Inc,
Model für Zulassungen	GMTM961600P18024-T3
Typ	AC/DC geregeltes Schaltnetzteil
Kategorie	Netzgerät für Medizin/ITE/Haushalt
Eingangsspannungsbereich	100 – 240V~, 50-60Hz
Max. Eingangsstrom	2,2A
Eingangsstecker	IEC 60320/C14
Ausgangsspannung	24VDC, 7,5A
Max. Ausgangsleistung	180W, Power rating with convection cooling.
Ausgangsstecker	KPPX-4P, Pin 1,4 -> 24V, Pin 2,3 -> GND, Gehäuse -> AC Erde
Effizienz	DOE Level VI / CEC Level VI / Eco-design Directive 2009/125/EC, (EU) 2019/1782
Schutzklasse	IP41
Abmessungen	176.5*74*40mm
Ambient Temperature	0 – 40°,
Zulassungen	cETLus 60601-1-11; cETLus 60950-1; cETLus 60601-1 3rd; CB 60601-1-11; CB 60601-1; cETLus; S-Mark IEC/EN 60601-1; WEEE; Ukraine; PSE; VCCI; Level VI; China RoHS; CE; EAC; Class I; RoHS; CB 60950; CB 60335; CCC; CB 62368; S-Mark 60950;
Zulassungsdokumente	www.globtek.info/certs/GTM961800P/



Zulassungsvorschriften Umwelt

Lithium Batterie

Dieses Produkt enthält eine Batterie, die sich auf dem internen Motherboard befindet. Die Batterie stellt die Datenintegrität der Echtzeituhr und der BIOS Einstellungen sicher. Die Batteriekapazität reicht in der Regel für die Lebensdauer des Gerätes aus. Diese Batterie darf nur von einem qualifizierten Servicetechniker ausgetauscht werden. Eine leere Lithium-Batterie muss gesondert entsorgt werden.



Entsorgung von Altgeräten durch Verbraucher

Dieses Symbol zeigt an, dass Sie das Produkt nicht mit anderem Abfall im Hausmüll entsorgen dürfen. Aus gesundheitlichen Gründen und zum Schutz der Umwelt sollten Sie die Altgeräte stattdessen an einer Rücknahmestelle für Elektro- und Elektronik-Altgeräte abgeben.



Reinigen des Gerätes

Benutzen Sie ein nebelfeuchtes Mikrofibertuch um alle nicht-elektrischen Teile des Gerätes zu reinigen. Metallteile sowie die Glasplatten können auch mit einem handelsüblichen Glasreiniger gereinigt werden. Benutzen Sie keinen Alkohol, Ethanol oder andere organische Lösungsmittel, da diese die Oberflächen des Produktes angreifen können.

RoHS Deklaration

Dieses Produkt ist in Übereinstimmung mit der **Restriction of Hazardous Substances Directive 2011/65/EU (RoHS 2)**, **Beschränkung (der Verwendung bestimmter, gefährlicher Stoffe)** und verbietet den Einsatz von Blei, Quecksilber, sechswertigem Chrom, polybromierten Biphenylen, polybromierten Diphenylethern in Konzentrationen über 0,1% Gewichtsprozent und Cadmium in Konzentrationen über 0,01% Gewichtsprozent.



Qualitätsmanagementsystem

Das Qualitätsmanagementsystem der Image Access GmbH, Wuppertal, Deutschland wurde durch Intertek Certification GmbH auditiert und zertifiziert in Bezug auf die Anforderungen der DIN EN ISO 9001:2015. Der Geltungsbereich des Qualitätsmanagementsystems umfasst Entwicklung, Herstellung und Vertrieb von Scannern und Baugruppen für Scanner.



Intertek

Open-Source Anerkennnisse

Dieses Produkt enthält Software, die veröffentlicht wurde von der Apache Software Foundation www.apache.org

Dieses Produkt enthält Software, die veröffentlicht wurde von der Open Source Initiative. www.opensource.org

Dieses Produkt enthält Software, die veröffentlicht wurde von der Free Software Foundation

www.gnu.org/licenses/gpl.html

Dieses Produkt basiert teilweise auf der Arbeit der Independent JPEG Group. www.jpeg.org

In Übereinstimmung mit der allgemeinen öffentlichen GNU-Lizenz (GNU General Public License) und allen weiteren verwendeten Softwarelizenzen macht Ihnen Image Access dieses schriftliche Angebot, gegen eine Gebühr von € 50 eine CD-R mit einer maschinenlesbaren Kopie des Quellcodes der gesamten Programmkomponenten zu beziehen, die unter der jeweiligen Lizenz in der Software der Produkte benutzt wurde. Sie können diese CD-R bei Ihrem lokalen Image Access Händler anfordern.

WideTEK[®]

Información Legal

Español

Título	Información legal	
Productos	WT24F-600	
Revisión	2.2	
Fecha	17.05.2022	

Declaración de Conformidad (UE)

Según ISO/IEC 17050-1 y EN 17050-1

El Fabricante

Fabricante	Image Access GmbH, Wuppertal, Alemania
-------------------	--

Declara que el producto

Producto	WideTEK 24F
Designación del modelo	WT24F-600*

Se ajusta a la siguiente regulación

Seguridad	IEC/EN 62368-1:2014 Ed. 2, AUS/NZL 62368-1:2014 Ed. 2
	UL 62368-1:2014 Ed. 2, CSA 62368-1:2014 Ed. 2
EMC	EN 55032:2015+A11:2020, CISPR32, EN 55035:2017+A11:2020, CISPR24
	EN 61000-3-2:2014, EN 61000-3-3:2013, FCC CFR 47 Parte 15 (B)
RoHS	Directiva 2011/65/UE (RoHS 2), SJ/T 11364 (China RoHS), India E-waste Rule 2011
Eficiencia	DOE Nivel VI / CEC Nivel VI / Directiva de diseño ecológico 2009/125/CE, (UE) 2019/1782

El producto cumple con los requisitos de la Directiva de Bajo Voltaje 2014/35/UE, la Directiva CEM 2014/30/UE y la Directiva RoHS 2011/65/UE y lleva el marcado CE correspondiente. Además, cumple con la Directiva RAEE 2012/19/UE.

Julio de 2022, Image Access GmbH, Alemania

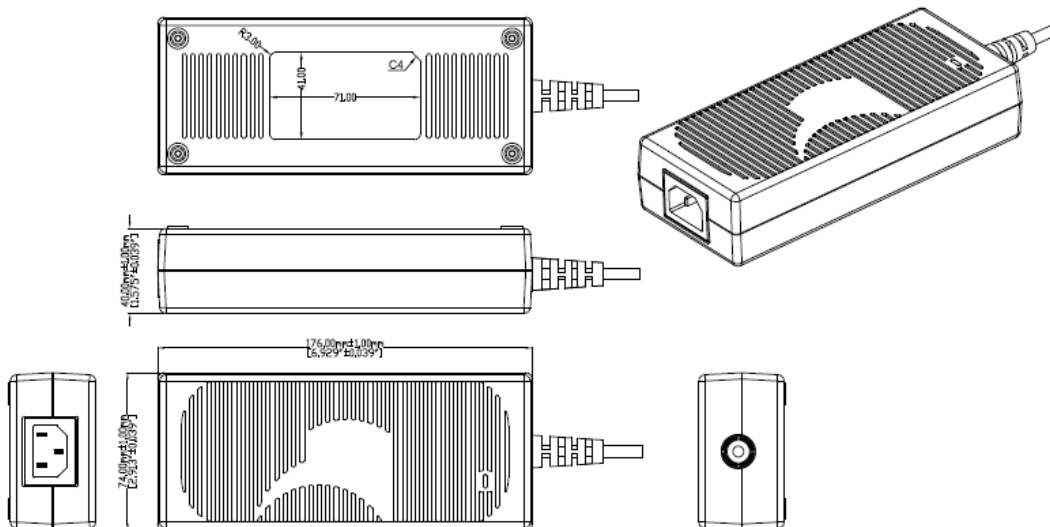


Thomas Ingendoh, Director General

Fuente de Alimentación Externa

Alimentación médica / ITE / doméstica

Número de Pieza	TR9CI7500YL4CIMR6B
Fabricante	GlobTek, Inc,
Modelo Normativo	GTM961800P
Tipo	Fuente de alimentación conmutada regulada AC/DC Adaptador AC
Categoría	Uso médico/ITE/doméstico Fuente de alimentación
Rango de Voltaje de Entrada	100 - 240V~, 50-60Hz
Máx. Corriente de Entrada	2,2A
Conector de Entrada	IEC 60320/C14
Voltaje de Salida	24VDC, 7,5A
Max. Potencia de Salida	180W, Potencia nominal con refrigeración por convección.
Conector de Salida	KPPX-4P, Pin 1,4 -> 24V, Pin 2,3 -> GND, Shell -> AC Earth
Eficiencia	DOE Nivel VI / CEC Nivel VI / Directiva de diseño ecológico 2009/125/CE, (UE) 2019/1782
Protección	IP41
Tamaño	176,5*74*40mm
Temperatura Ambiente	0 – 40°,
Homologaciones	cETLus 60601-1-11; cETLus 60950-1; cETLus 60601-1 3rd; CB 60601-1-11; CB 60601-1; cETLus; S-Mark IEC/EN 60601-1; WEEE; Ucrania; PSE; VCCI; Nivel VI; China RoHS; CE; EAC; Clase I; RoHS; CB 60950; CB 60335; CCC; CB 62368; S-Mark 60950;
Documentos de la Agencia	www.globtek.info/certs/GTM961800P/



Declaraciones Reglamentarias Ecológicas

Batería de litio

Este producto contiene una batería de litio situada en una placa base interna. La batería se utiliza para mantener la integridad de los datos del reloj en tiempo real y la configuración de la BIOS y está diseñada para durar toda la vida del producto. Cualquier intento de reparar o sustituir esta batería debe ser realizado por un técnico de servicio cualificado. La batería puede requerir un manejo especial al final de su vida útil.



Eliminación de residuos de equipos por parte de los usuarios

Este símbolo significa que no debe eliminar el producto con el resto de los residuos domésticos. En su lugar, debe proteger la salud humana y el medio ambiente entregando su equipo de desecho a un punto de recogida designado para el reciclaje de residuos eléctricos.



Procedimientos de limpieza

Utilice un paño de microfibra húmedo para limpiar todas las partes que no son eléctricas de los productos. Las partes metálicas y las placas de vidrio pueden limpiarse con un limpiacristales estándar. No utilice alcohol, etanol ni ningún otro disolvente orgánico, ya que pueden destruir la superficie del producto.

Declaración RoHS

Este producto cumple con la **Directiva de Restricción de Sustancias Peligrosas 2011/65/UE (RoHS 2)** y prohíbe el uso de plomo, mercurio, cromo hexavalente, bifenilos polibromados o éteres difenilos polibromados en concentraciones superiores al 0,1 % en peso y al 0,01 % en peso para el cadmio.



Sistema de gestión de la calidad

El sistema de gestión de calidad de Image Access GmbH, Wuppertal, Alemania, ha sido evaluado y registrado por Intertek Certification GmbH como conforme a los requisitos de DIN EN ISO 9001:2015. El sistema de gestión de la calidad es aplicable al diseño, la fabricación y la venta de escáneres y componentes para escáneres.



Agradecimientos al código abierto

Este producto incluye software publicado por la Apache Software Foundation www.apache.org
Este producto incluye software publicado por la Iniciativa de Código Abierto. www.opensource.org
Este producto incluye software publicado por la Free Software Foundation www.gnu.org/licenses/gpl.html
Este producto se basa en parte en el trabajo del Independent JPEG Group. www.jpeg.org

De acuerdo con la Licencia Pública General de GNU y todas las demás licencias de software utilizadas, Image Access le ofrece por escrito la posibilidad de recibir en un CD-R, al precio de 50 dólares, una copia completa legible por máquina del código fuente de todo el software con licencia utilizado en este producto. Puede solicitar este CD-R a su representante local de Image Access.

WideTEK[®]

Informations juridiques Français

Titre	Informations juridiques	
Produits	WT24F-600	
Révision	2.2	
Date	17.05.2022	

Déclaration de conformité (EU)

Selon les normes ISO/IEC 17050-1 et EN 17050-1

Le fabricant

Fabricant	Image Access GmbH, Wuppertal, Germany
------------------	---------------------------------------

déclare que le produit

Produit	WideTEK 24F
Désignation du modèle	WT24F-600*

est conforme aux spécifications et réglementations suivantes

Sécurité	IEC/EN 62368-1:2014 Ed.2, AUS/NZL 62368-1:2014 Ed.2
	UL 62368-1:2014 Ed.2, CSA 62368-1:2014 Ed.2
EMC	EN 55032:2015+A11:2020, CISPR32, EN 55035:2017+A11:2020, CISPR24
	EN 61000-3-2:2014, EN 61000-3-3:2013, FCC CFR 47 Part 15 (B)
RoHS	Directive 2011/65/EU (RoHS 2), SJ/T 11364 (China RoHS), India E-waste Rule 2011
Efficacité	DOE Level VI / CEC Level VI / Eco-design Directive 2009/125/EC, (EU) 2019/1782

Il s'agit de certifier que le produit est conforme aux exigences de la directive basse tension 2014/35/UE, de la directive CEM 2014/30/UE, ainsi que de la directive 2011/65/UE et a été marqué en conséquence. En outre, il est conforme à la directive DEEE 2012/19/UE.

Juillet 2022, Image Access GmbH, Allemagne

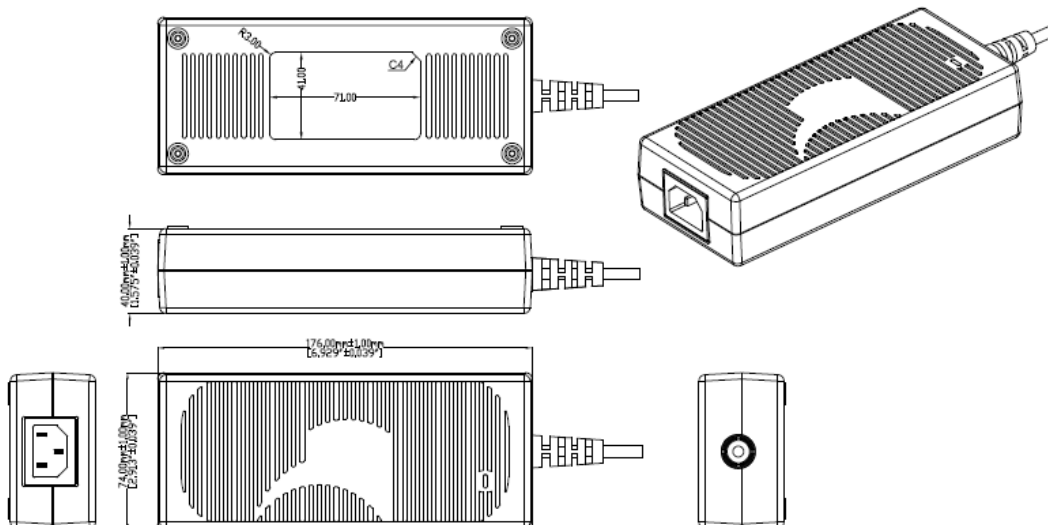


Thomas Ingendoh, CEO

Alimentation électrique externe

Unité d'alimentation électrique pour les appareils médicaux / ITE / le logement

Numéro de pièce	TR9CI7500YL4CIMR6B
Fabricant	GlobTek, Inc,
Modèle de réglementation	GTM961800P
Type	Alimentation à découpage régulée AC/DC
Catégorie	Unité d'alimentation électrique pour les appareils médicaux / ITE / le logement
Gamme de tension d'entrée	100 – 240V~, 50-60Hz
Max. Courant d'entrée	2,2A
Connecteur d'entrée	IEC 60320/C14
Tension de sortie	24VDC, 7,5A
Max. Puissance nominale de sortie	180W, Puissance nominale avec refroidissement par convection.
Connecteur de sortie	KPPX-4P, Pin 1,4 -> 24V, Pin 2,3 -> GND, Shell -> AC Earth
Efficacité	DOE Level VI / CEC Level VI / Eco-design Directive 2009/125/EC, (EU) 2019/1782
Protection	IP41
Taille	176.5*74*40mm
Température ambiante	0 – 40°,
Approbations	cETLus 60601-1-11; cETLus 60950-1; cETLus 60601-1 3rd; CB 60601-1-11; CB 60601-1; cETLus; S-Mark IEC/EN 60601-1; WEEE; Ukraine; PSE; VCCI; Level VI; China RoHS; CE; EAC; Class I; RoHS; CB 60950; CB 60335; CCC; CB 62368; S-Mark 60950;
Documents d'enregistrement	www.globtek.info/certs/GTM961800P/



Conditions d'octroi des licences environnementales

Pile au lithium

Ce produit contient une batterie située sur la carte mère interne. La batterie assure l'intégrité des données de l'horloge en temps réel et des paramètres du BIOS. La capacité de la batterie est généralement suffisante pour la durée de vie de l'appareil. Cette batterie ne doit être remplacée que par un technicien de service qualifié. Une pile au lithium vide doit être éliminée séparément.



Élimination des déchets d'équipements par les utilisateurs

Ce symbole indique que vous ne devez pas jeter le produit avec d'autres déchets dans les ordures ménagères. Pour des raisons de santé et de protection de l'environnement, vous devriez plutôt apporter les déchets d'équipements à un point de collecte des déchets d'équipements électriques et électroniques.



Procédures de nettoyage

Utilisez un chiffon microfibre humide pour nettoyer toutes les parties non électriques des produits. Les pièces métalliques et les plaques de verre peuvent être nettoyées à l'aide d'un nettoyant pour vitres standard. N'utilisez pas d'alcool, d'éthanol ou tout autre solvant organique car ils peuvent détruire la surface du produit.

Déclaration RoHS

Ce produit est conforme à la directive sur la restriction des substances dangereuses 2011/65/UE (RoHS 2) et interdit l'utilisation du plomb, du mercure, du chrome hexavalent, des biphényles polybromés ou des éthers diphényles polybromés à des concentrations supérieures à 0,1 % en poids et à 0,01 % en poids pour le cadmium.



Système de gestion de la qualité

Le système de gestion de la qualité d'Image Access GmbH, Wuppertal, Allemagne, a été évalué et enregistré par Intertek Certification GmbH comme étant conforme aux exigences de

DIN EN ISO 9001:2015.

Le système de gestion de la qualité est applicable à la conception, à la fabrication et à la vente de scanners et de composants de scanners



Remerciements pour l'Open Source

Ce produit comprend un logiciel publié par l'Apache Software Foundation www.apache.org

Ce produit comprend des logiciels publiés par l'Open Source Initiative. www.opensource.org

Ce produit comprend des logiciels publiés par la Free Software Foundation www.gnu.org/licenses/gpl.html

Ce produit est basé en partie sur le travail du groupe indépendant JPEG. www.jpeg.org

Conformément à la licence publique générale GNU et à toutes les autres licences de logiciels utilisés, Image Access vous fait cette offre écrite pour recevoir sur un CD-R, au coût de 50 \$, une copie complète lisible par machine du code source de tous les logiciels sous licence utilisés dans ce produit. Vous pouvez demander ce CD-R à votre représentant Image Access local.

WideTEK[®]

Informazioni legali Italiano

Titolo	Informazioni legali	
Prodotti	WT24F-600	
Revisione	2.2	
Data:	17.05.2022	

Dichiarazione di conformità (UE)

Secondo ISO/IEC 17050-1 e EN 17050-1

Il produttore

Produttore	Image Access GmbH, Wuppertal, Germania
-------------------	--

dichiara che il prodotto

Prodotto	WideTEK 24F
Denominazione del modello	WT24F-600*

è conforme ai seguenti regolamenti

Sicurezza	IEC/EN 62368-1:2014 Ed. 2, AUS/NZL 62368-1:2014 Ed. 2
	UL 62368-1:2014 Ed. 2, CSA 62368-1:2014 Ed. 2
EMC	EN 55032:2015+A11:2020, CISPR32, EN 55035:2017+A11:2020, CISPR24
	EN 61000-3-2:2014, EN 61000-3-3:2013, FCC CFR 47 Parte 15 (B)
RoHS	Direttiva 2011/65/UE (RoHS 2), SJ/T 11364 (Cina RoHS), India E-waste Rule 2011
Efficienza	DOE Livello VI / CEC Livello VI / Direttiva Eco-design 2009/125/CE, (UE) 2019/1782

Il prodotto è conforme ai requisiti della direttiva sulla bassa tensione 2014/35/UE, della direttiva EMC 2014/30/UE, della direttiva RoHS 2011/65/UE e porta il marchio CE. Inoltre, è conforme alla direttiva WEEE 2012/19/UE.

Luglio 2022, Image Access GmbH, Germania

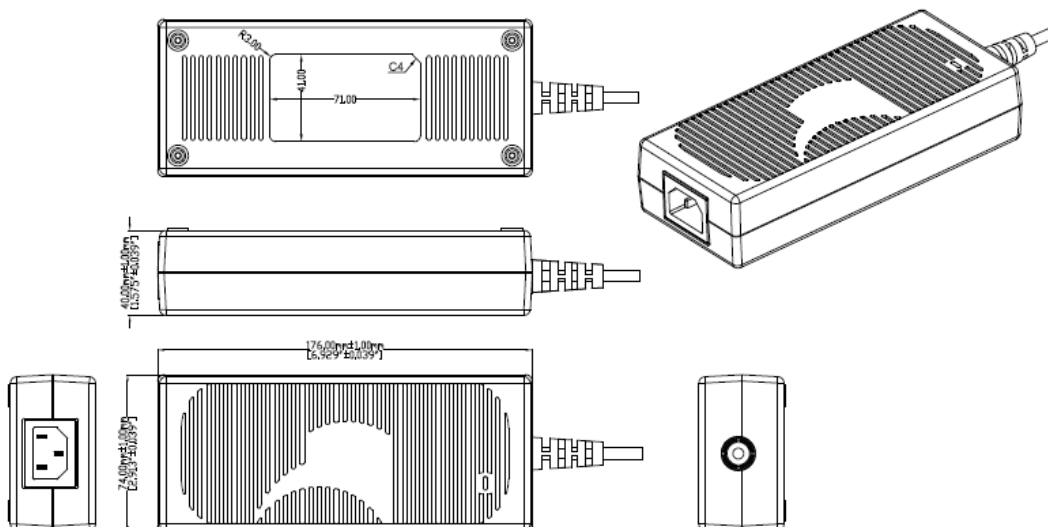


Thomas Ingendoh, CEO

Alimentazione esterna

Alimentazione medica / ITE / domestica

Numero di parte	TR9CI7500YL4CIMR6B
Produttore	GlobTek, Inc,
Modello normativo	GTM961800P
Tipo	Alimentatore regolato a commutazione AC/DC Adattatore AC
Categoria	Medico/ITE/uso domestico Alimentazione
Gamma di tensione d'ingresso	100 - 240V~, 50-60Hz
Max. Corrente d'ingresso	2,2A
Connettore d'ingresso	IEC 60320/C14
Tensione di uscita	24VDC, 7,5A
Max. Potenza d'uscita nominale	180W, Potenza nominale con raffreddamento a convezione.
Connettore di uscita	KPPX-4P, Pin 1,4 -> 24V, Pin 2,3 -> GND, Guscio -> Terra AC
Efficienza	DOE Livello VI / CEC Livello VI / Direttiva Eco-design 2009/125/CE, (UE) 2019/1782
Protezione	IP41
Dimensione	176,5*74*40mm
Temperatura ambiente	0 – 40°,
Approvazioni	cETLus 60601-1-11; cETLus 60950-1; cETLus 60601-1 3rd; CB 60601-1-11; CB 60601-1; cETLus; S-Mark IEC/EN 60601-1; WEEE; Ucraina; PSE; VCCI; Livello VI; China RoHS; CE; EAC; Classe I; RoHS; CB 60950; CB 60335; CCC; CB 62368; S-Mark 60950;
Documenti dell'agenzia	www.globtek.info/certs/GTM961800P/



Dichiarazioni Normative Ecologiche

Batteria al litio

Questo prodotto contiene una batteria al litio situata su una scheda madre interna. La batteria è utilizzata per mantenere l'integrità dei dati dell'orologio in tempo reale e le impostazioni del BIOS ed è progettata per durare **per** la vita del prodotto. Qualsiasi tentativo di riparare o sostituire questa batteria dovrebbe essere eseguito da un tecnico qualificato. La batteria potrebbe richiedere un trattamento speciale alla fine della sua vita.



Smaltimento dei rifiuti di apparecchiature da parte degli utenti

Questo simbolo indica che non si deve smaltire il vostro prodotto con gli altri rifiuti domestici. Invece, si deve proteggere la salute umana e l'ambiente consegnando il tuo materiale di scarto a un punto di raccolta designato per il riciclaggio dei rifiuti elettrici.



Procedure di pulizia

Usare un panno in microfibra umido per pulire tutte le parti non elettriche dei prodotti. Le parti metalliche e le piastre di vetro possono essere pulite con un normale detergente per vetri. Non usare alcool, etanolo o altri solventi organici perché possono distruggere la superficie del prodotto.

Dichiarazione RoHS

Questo prodotto è conforme alla **direttiva sulla restrizione delle sostanze pericolose 2011/65/UE (RoHS 2)** e vieta l'uso di piombo, mercurio, cromo esavalente, bifenili polibromurati o eteri di difenile polibromurato in concentrazioni superiori allo 0,1 % in peso e allo 0,01 % in peso per il cadmio.



Sistema di gestione della qualità

Il sistema di gestione della qualità di Image Access GmbH, Wuppertal, Germania è stato valutato e registrato da Intertek Certification GmbH come conforme ai requisiti di DIN EN ISO 9001:2015. Il sistema di gestione della qualità è applicabile alla progettazione, produzione e vendita di scanner e componenti per scanner.



Riconoscimenti Open Source

Questo prodotto include software pubblicato dalla Apache Software Foundation www.apache.org
Questo prodotto include software pubblicato dalla Open Source Initiative. www.opensource.org
Questo prodotto include software pubblicato dalla Free Software Foundation www.gnu.org/licenses/gpl.html
Questo prodotto è basato in parte sul lavoro dell'Independent JPEG Group. www.jpeg.org

In accordo con la GNU General Public License e con tutte le altre licenze software utilizzate, Image Access fornisce all'utente questa offerta scritta per ricevere su un CD-R, al costo di 50 dollari, una copia completa leggibile dalla macchina del codice sorgente di tutto il software concesso in licenza utilizzato in questo prodotto. Potete richiedere questo CD-R al vostro rappresentante locale di Image Access.

WideTEK[®]

Informacje prawne Polska

Tytuł	Informacje prawne	
Produkty	WT24F-600	
Rewizja	2.2	
Data:	17.05.2022	

Deklaracja Zgodności (UE)

Zgodnie z normami ISO/IEC 17050-1 i EN 17050-1

Producent

Producent	Image Access GmbH, Wuppertal, Niemcy
------------------	--------------------------------------

oświadcza, że produkt

Produkt	WideTEK 24F
Oznaczenie modelu	WT24F-600*

jest zgodny z następującymi przepisami

Bezpieczeństwo	IEC/EN 62368-1:2014 Ed. 2, AUS/NZL 62368-1:2014 Ed. 2
	UL 62368-1:2014 Ed. 2, CSA 62368-1:2014 Ed. 2
EMC	EN 55032:2015+A11:2020, CISPR32, EN 55035:2017+A11:2020, CISPR24
	EN 61000-3-2:2014, EN 61000-3-3:2013, FCC CFR 47 część 15 (B)
RoHS	Dyrektywa 2011/65/EU (RoHS 2), SJ/T 11364 (China RoHS), India E-waste Rule 2011.
Wydajność	DOE poziom VI / CEC poziom VI / Dyrektywa Eco-design 2009/125/WE, (UE) 2019/1782

Niniejszy produkt spełnia wymagania dyrektywy niskonapięciowej 2014/35/UE, dyrektywy EMC 2014/30/UE, dyrektywy RoHS 2011/65/UE i posiada odpowiednie oznaczenie CE. Ponadto jest zgodny z dyrektywą WEEE 2012/19/EU.

Lipiec 2022, Image Access GmbH, Niemcy

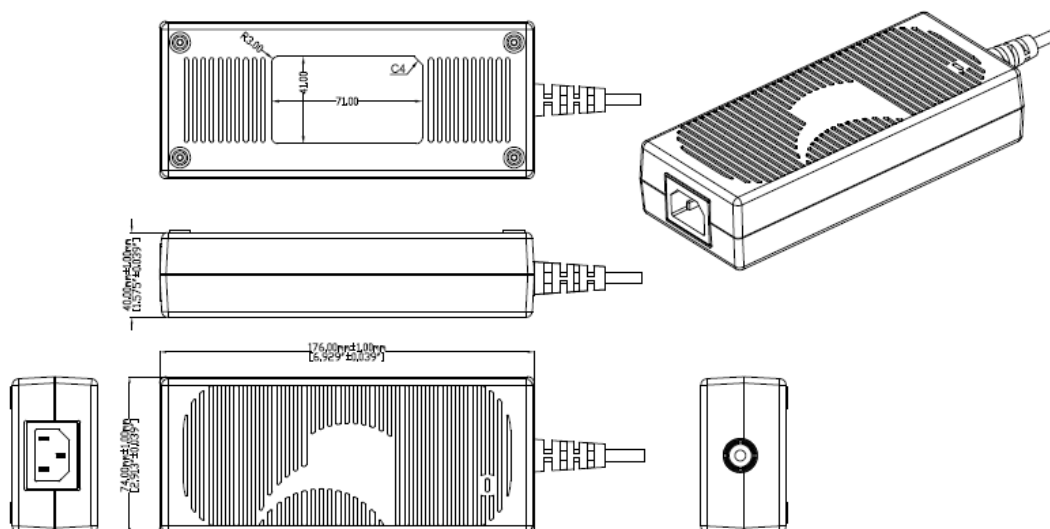


Thomas Ingendoh, Dyrektor Generalny

Zewnętrzne zasilanie

Medyczne / ITE / Gospodarstwo domowe Zasilacz

Numer części	TR9CI7500YL4CIMR6B
Producent	GlobTek, Inc,
Model regulacyjny	GTM961800P
Typ	Regulowany zasilacz impulsowy AC/DC Zasilacz AC
Kategoria	Medyczne/ITE/użycie w gospodarstwie domowym Zasilanie
Zakres napięcia wejściowego	100 - 240V~, 50-60Hz
Maks. Prąd wejściowy	2,2A
Złącze wejściowe	IEC 60320/C14
Napięcie wyjściowe	24VDC, 7,5A
Maks. Moc wyjściowa	180W, Moc znamionowa z chłodzeniem konwekcyjnym.
Złącze wyjściowe	KPPX-4P, Pin 1,4 -> 24V, Pin 2,3 -> GND, Shell -> AC Earth
Wydajność	DOE poziom VI / CEC poziom VI / Dyrektywa Eco-design 2009/125/WE, (UE) 2019/1782
Ochrona	IP41
Rozmiar	176.5*74*40mm
Temperatura otoczenia	0 – 40°,
Zatwierdzenia	cETLus 60601-1-11; cETLus 60950-1; cETLus 60601-1 3rd; CB 60601-1-11; CB 60601-1; cETLus; S-Mark IEC/EN 60601-1; WEEE; Ukraina; PSE; VCCI; Poziom VI; China RoHS; CE; EAC; Class I; RoHS; CB 60950; CB 60335; CCC; CB 62368; S-Mark 60950;
Dokumenty Agencji	www.globtek.info/certs/GTM961800P/



Oświadczenia regulacyjne Ekologiczne

Bateria litowa

Ten produkt zawiera baterię litową umieszczoną na wewnętrznej płycie głównej. Bateria jest używana do zachowania integralności danych zegara czasu rzeczywistego oraz ustawień systemu BIOS i została zaprojektowana na cały okres eksploatacji produktu. Wszelkie próby serwisowania lub wymiany tej baterii powinny być wykonywane przez wykwalifikowanego technika serwisu. Pod koniec okresu eksploatacji bateria może wymagać specjalnego traktowania.



Unieszkodliwianie zużytego sprzętu przez użytkowników

Symbol ten oznacza, że nie należy wyrzucać produktu wraz z innymi odpadami domowymi. Zamiast tego należy chronić zdrowie ludzi i środowisko, oddając zużyty sprzęt do wyznaczonego punktu zbiórki w celu recyklingu odpadów elektrycznych.



Procedury czyszczenia

Do czyszczenia wszystkich nieelektrycznych części produktów należy używać wilgotnej ściereczki z mikrofibry. Części metalowe i płyty szklane można czyścić za pomocą standardowego środka do czyszczenia szkła. Nie należy używać alkoholu, etanolu ani żadnych innych rozpuszczalników organicznych, ponieważ mogą one zniszczyć powierzchnię produktu.

Deklaracja RoHS

Ten produkt jest zgodny z **dyrektywą w sprawie ograniczenia stosowania substancji niebezpiecznych 2011/65/UE (RoHS 2)** i zabrania stosowania ołowiu, rtęci, sześciowartościowego chromu, polibromowanych bifenyli lub polibromowanych eterów difenyloyowych w stężeniach przekraczających 0,1 % wag. i 0,01 % wag. w przypadku kadmu.



System Zarządzania Jakością

System zarządzania jakością firmy Image Access GmbH, Wuppertal, Niemcy został oceniony i zarejestrowany przez Intertek Certification GmbH jako zgodny z wymaganiami DIN EN ISO 9001:2015. System Zarządzania Jakością ma zastosowanie do projektowania, produkcji i sprzedaży skanerów i komponentów do skanerów.



Intertek

Podziękowania dla Open Source

Ten produkt zawiera oprogramowanie opublikowane przez Apache Software Foundation www.apache.org

Ten produkt zawiera oprogramowanie opublikowane przez Open Source Initiative. www.opensource.org

Ten produkt zawiera oprogramowanie opublikowane przez Free Software Foundation www.gnu.org/licenses/gpl.html

Ten produkt jest oparty częściowo na pracach Independent JPEG Group. www.jpeg.org

Zgodnie z Powszechną Licencją Publiczną GNU oraz wszystkimi innymi licencjami na używane oprogramowanie, Image Access składa Państwu pisemną ofertę otrzymania na płycie CD-R, za opłatą 50 USD, kompletnej, nadającej się do odczytu maszynowego kopii kodu źródłowego całego licencjonowanego oprogramowania użytego w tym produkcie. Płytę CD-R można zamówić u lokalnego przedstawiciela firmy Image Access.

WideTEK[®]

Právní informace Česka

Název	Právní informace	
Produkty	WT24F-600	
Revize	2.2	
Datum:	17.05.2022	

Prohlášení o shodě (EU)

Podle ISO/IEC 17050-1 a EN 17050-1

Výrobce

Výrobce	Image Access GmbH, Wuppertal, Německo
----------------	---------------------------------------

prohlašuje, že výrobek

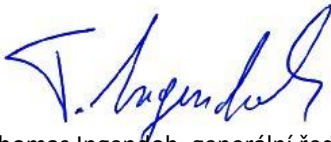
Produkt	WideTEK 24F
Označení modelu	WT24F-600*

splňuje následující předpisy

Bezpečnost	IEC/EN 62368-1:2014 Ed. 2, AUS/NZL 62368-1:2014 Ed. 2
	UL 62368-1:2014 Ed. 2, CSA 62368-1:2014 Ed. 2
EMC	EN 55032:2015+A11:2020, CISPR32, EN 55035:2017+A11:2020, CISPR24
	EN 61000-3-2:2014, EN 61000-3-3:2013, FCC CFR 47 část 15 (B)
RoHS	Směrnice 2011/65/EU (RoHS 2), SJ/T 11364 (Čína RoHS), India E-waste Rule 2011
Účinnost	DOE Level VI / CEC Level VI / Směrnice o ekodesignu 2009/125/ES, (EU) 2019/1782

Tento výrobek splňuje požadavky směrnice o nízkém napětí 2014/35/EU, směrnice o elektromagnetické kompatibilitě 2014/30/EU a směrnice o omezení používání nebezpečných látek 2011/65/EU a je opatřen odpovídajícím označením CE. Kromě toho je v souladu se směrnicí 2012/19/EU o odpadních elektrických a elektronických zařízeních.

červenec 2021, Image Access GmbH, Německo

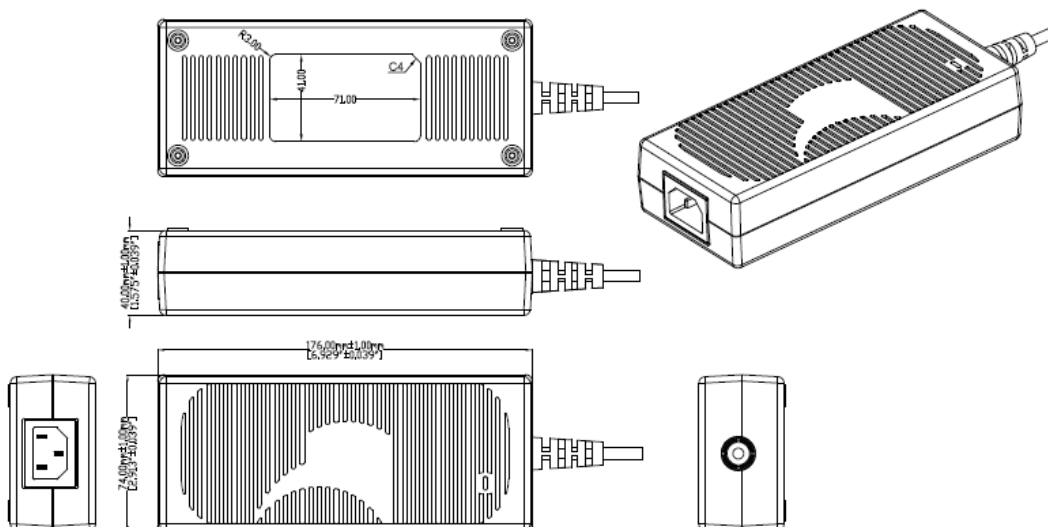


Thomas Ingendoh, generální ředitel

Externí zdroj napájení

Napájení pro zdravotnictví / ITE / domácnosti

Číslo dílu	TR9CI7500YL4CIMR6B
Výrobce	GlobTek, Inc,
Regulační model	GTM961800P
Typ	Regulovaný spínaný zdroj střídavého/stejnoseměrného proudu Síťový adaptér
Kategorie	Napájení pro lékařské účely/IT/domácnosti
Rozsah vstupního napětí	100 - 240 V~, 50-60 Hz
Max. Vstupní proud	2,2A
Vstupní konektor	IEC 60320/C14
Výstupní napětí	24VDC, 7,5A
Max. Jmenovitý výstupní výkon	180 W, jmenovitý výkon s konvekčním chlazením.
Výstupní konektor	KPPX-4P, Pin 1,4 -> 24V, Pin 2,3 -> GND, Shell -> AC Earth
Účinnost	DOE Level VI / CEC Level VI / Směrnice o ekodesignu 2009/125/ES, (EU) 2019/1782
Ochrana	IP41
Velikost	176,5*74*40 mm
Okolní teplota	0 – 40°,
Schválení	cETLus 60601-1-11; cETLus 60950-1; cETLus 60601-1 3rd; CB 60601-1-11; CB 60601-1; cETLus; S-Mark IEC/EN 60601-1; WEEE; Ukrajina; PSE; VCCI; Level VI; China RoHS; CE; EAC; Class I; RoHS; CB 60950; CB 60335; CCC; CB 62368; S-Mark 60950;
Dokumenty agentury	www.globtek.info/certs/GTM961800P/



Regulační prohlášení Ekologické

Lithiová baterie

Tento výrobek obsahuje lithiovou baterii umístěnou na vnitřní základní desce. Baterie slouží k zachování integrity dat hodin reálného času a nastavení systému BIOS a je navržena tak, aby vydržela po celou dobu životnosti výrobku. Jakýkoli pokus o servis nebo výměnu této baterie by měl provádět kvalifikovaný servisní technik. Baterie může na konci své životnosti vyžadovat zvláštní zacházení.



Likvidace odpadních zařízení uživateli

Tento symbol znamená, že výrobek nelikvidujte společně s ostatním domovním odpadem. Místo toho byste měli chránit lidské zdraví a životní prostředí a odevzdat odpadní zařízení na určeném sběrném místě pro recyklaci elektroodpadu.



Postupy čištění

K čištění všech neelektrických částí výrobků použijte vlhký hadřík z mikrovlákna. Kovové části a skleněné desky lze čistit běžným čisticím prostředkem na sklo. Nepoužívejte alkohol, etanol ani jiná organická rozpouštědla, protože mohou zničit povrch výrobku.

Prohlášení RoHS

Tento výrobek je v souladu se **směrnicí 2011/65/EU o omezení nebezpečných látek (RoHS 2)** a zakazuje použití olova, rtuti, šestimocného chromu, polybromovaných bifenylů nebo polybromovaných difenyletherů v koncentracích vyšších než 0,1 % hmotnostních a 0,01 % hmotnostních kadmia.



Systém řízení kvality

Systém řízení kvality společnosti Image Access GmbH, Wuppertal, Německo, byl posouzen a zaregistrován společností Intertek Certification GmbH jako vyhovující požadavkům na DIN EN ISO 9001:2015. Systém řízení kvality se vztahuje na konstrukci, výrobu a prodej skenerů a jejich součástí.

**Intertek**

Poděkování za otevřený zdrojový kód

Tento produkt obsahuje software publikovaný nadací Apache Software Foundation www.apache.org.
Tento produkt obsahuje software publikovaný iniciativou Open Source Initiative. www.opensource.org
Tento produkt obsahuje software publikovaný nadací Free Software Foundation www.gnu.org/licenses/gpl.html.
Tento produkt je částečně založen na práci skupiny Independent JPEG Group. www.jpeg.org

V souladu s GNU General Public License a všemi ostatními licencemi na používaný software vám společnost Image Access tímto písemně nabízí, že za 50 USD obdržíte na CD-R kompletní strojově čitelnou kopii zdrojového kódu veškerého licencovaného softwaru použitého v tomto produktu. Tento disk CD-R si můžete vyžádat u místního zástupce společnosti Image Access.

WideTEK[®]

Juridiske oplysninger

Duński

Titel	Juridiske oplysninger	
Produkter	WT24F-600	
Revision	2.2	
Dato:	17.05.2022	

Overensstemmelseserklæring (EU)

I henhold til ISO/IEC 17050-1 og EN 17050-1

Producenten

Producent	Image Access GmbH, Wuppertal, Tyskland
------------------	--

erklærer, at produktet

Produkt	WideTEK 24F
Modelbetegnelse	WT24F-600*

er i overensstemmelse med følgende bestemmelser

Sikkerhed	IEC/EN 62368-1:2014 Ed. 2, AUS/NZL 62368-1:2014 Ed. 2
	UL 62368-1:2014 Ed. 2, CSA 62368-1:2014 Ed. 2
EMC	EN 55032:2015+A11:2020, CISPR32, EN 55035:2017+A11:2020, CISPR24
	EN 61000-3-2:2014, EN 61000-3-3-3:2013, FCC CFR 47 Part 15 (B)
RoHS	Direktiv 2011/65/EU (RoHS 2), SJ/T 11364 (Kina RoHS), India E-waste Rule 2011
Effektivitet	DOE niveau VI / CEC niveau VI / Eco-design direktiv 2009/125/EF, (EU) 2019/1782

Produktet opfylder hermed kravene i lavspændingsdirektivet 2014/35/EU, EMC-direktivet 2014/30/EU og RoHS-direktivet 2011/65/EU og er i overensstemmelse hermed CE-mærket. Desuden er det i overensstemmelse med WEEE-direktivet 2012/19/EU.

Juli 2022, Image Access GmbH, Tyskland

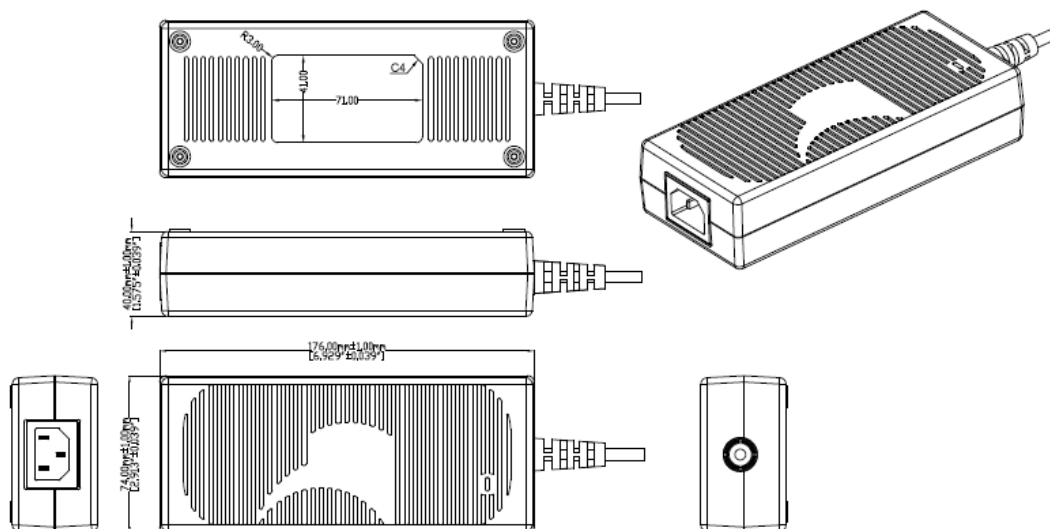


Thomas Ingendoh, administrerende direktør

Ekstern strømforstyrning

Medicinsk / ITE / husholdningsstrømforstyrning

Delnummer	TR9CI7500YL4CIMR6B
Producent	GlobTek, Inc,
Reguleringsmodel	GTM961800P
Type	Reguleret switchmode AC/DC-strømforstyrning AC-adaptor
Kategori	Medicinsk/ITE/husholdningsbrug Strømforstyrning
Indgangsspændingsområde	100 - 240V~, 50-60Hz
Max. Indgangsstrøm	2,2A
Indgangsstik	IEC 60320/C14
Udgangsspænding	24VDC, 7,5A
Max. Udgangseffekt Rating	180W, effekt med konvektionskøling.
Udgangsstik	KPPX-4P, Pin 1,4 -> 24V, Pin 2,3 -> GND, Shell -> AC Earth
Effektivitet	DOE niveau VI / CEC niveau VI / Eco-design direktiv 2009/125/EF, (EU) 2019/1782
Beskyttelse	IP41
Størrelse	176.5*74*40mm
Omgivelsestemperatur	0 – 40°,
Godkendelser	cETLus 60601-1-11; cETLus 60950-1; cETLus 60601-1 3rd; CB 60601-1-11; CB 60601-1; cETLus; S-Mark IEC/EN 60601-1; WEEE; Ukraine; PSE; VCCI; Level VI; China RoHS; CE; EAC; Klasse I; RoHS; CB 60950; CB 60335; CCC; CB 62368; S-Mark 60950;
Agenturets dokumenter	www.globtek.info/certs/GTM961800P/



Lovgivningsmæssige erklæringer Økologisk

Lithium-batteri

Dette produkt indeholder et litiumbatteri, der er placeret på et internt bundkort. Batteriet bruges til at opretholde dataintegriteten af realtidsklokken og BIOS-indstillingerne og er beregnet til at holde i produktets levetid. Ethvert forsøg på at servicere eller udskifte dette batteri skal udføres af en kvalificeret servicetekniker. Batteriet kan kræve en særlig håndtering i slutningen af dets levetid.



Brugernes bortskaffelse af affaldsudstyr

Dette symbol betyder, at du ikke må bortskaffe produktet sammen med dit andet husholdningsaffald. I stedet bør du beskytte menneskers sundhed og miljøet ved at aflevere dit affaldsudstyr på et udpeget indsamlingssted for genbrug af affald af elektrisk udstyr.



Rengøringsprocedurer

Brug en fugtig mikrofiberklud til at rengøre alle ikke-elektriske dele af produkterne. Metaldele og glasplader kan rengøres med et almindeligt glasrensemiddel. Brug ikke alkohol, ethanol eller andre organiske opløsningsmidler, da de kan ødelægge produktets overflade.

RoHS-erklæring

Dette produkt er i overensstemmelse med **direktivet om begrænsning af farlige stoffer 2011/65/EU (RoHS 2)** og forbyder brug af bly, kviksølv, hexavalent krom, polybromerede biphenyl eller polybromerede diphenylethere i koncentrationer på over 0,1 vægtprocent og 0,01 vægtprocent for cadmium.



Kvalitetsstyringssystem

Kvalitetsstyringssystemet hos Image Access GmbH, Wuppertal, Tyskland, er blevet vurderet og registreret af Intertek Certification GmbH som værende i overensstemmelse med kravene i DIN EN ISO 9001:2015. Kvalitetsstyringssystemet gælder for design, fremstilling og salg af scannere og scannerkomponenter.



Anerkendelser om åben kildekode

Dette produkt indeholder software, der er udgivet af Apache Software Foundation www.apache.org

Dette produkt indeholder software, der er udgivet af Open Source Initiative. www.opensource.org

Dette produkt indeholder software, der er udgivet af Free Software Foundation www.gnu.org/licenses/gpl.html

Dette produkt er delvist baseret på arbejdet i den uafhængige JPEG-gruppe. www.jpeg.org

I overensstemmelse med GNU General Public License og alle andre anvendte softwarelicenser giver Image Access dig dette skriftlige tilbud om at modtage en komplet maskinlæsbar kopi af kildekoden til al licenseret software, der anvendes i dette produkt, på en CD-R til en pris af 50 \$. Du kan anmode om denne CD-R hos din lokale Image Access-repræsentant.