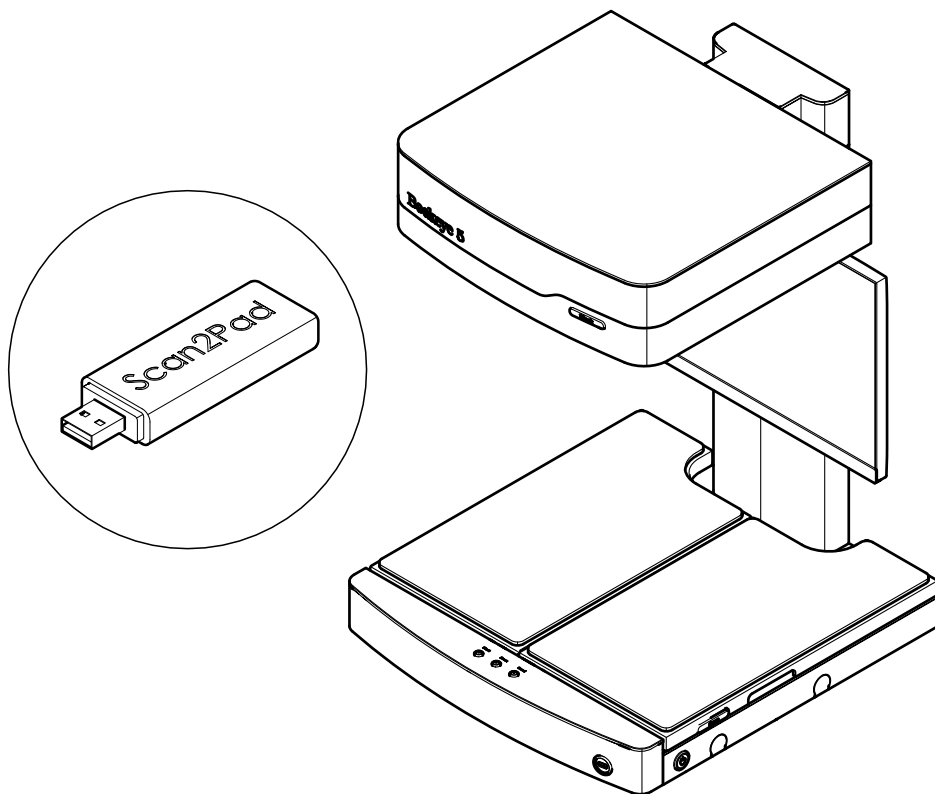


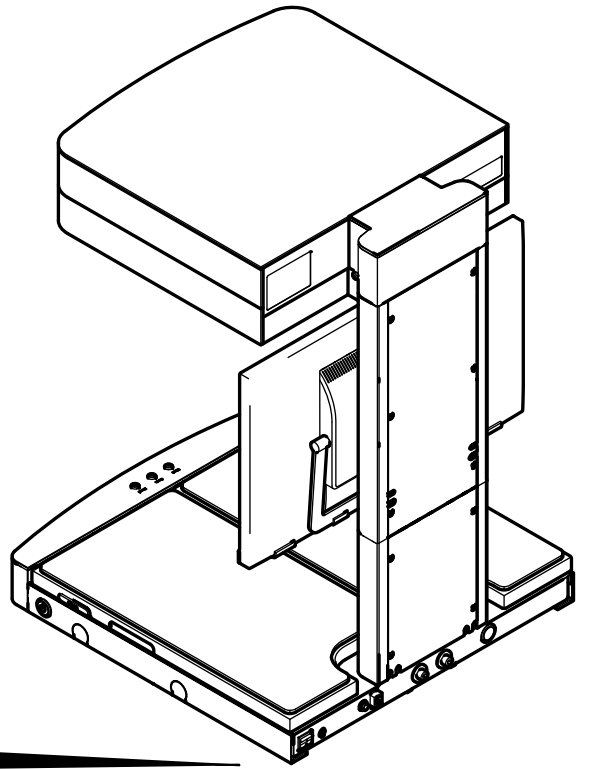
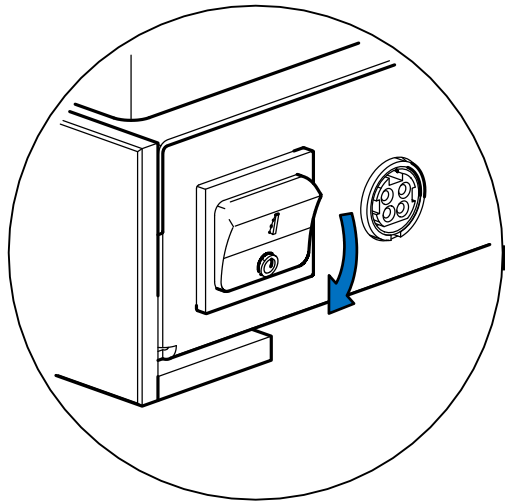
# Assembly Instructions

Montageanleitung, Instrucciones de montaje, Instructions de montage,  
Istruzioni per il montaggio, Montage Instructies, Instrukcja montażu,  
Instruções de montage, 組立説明書, Инструкции по монтажу, 装配说明

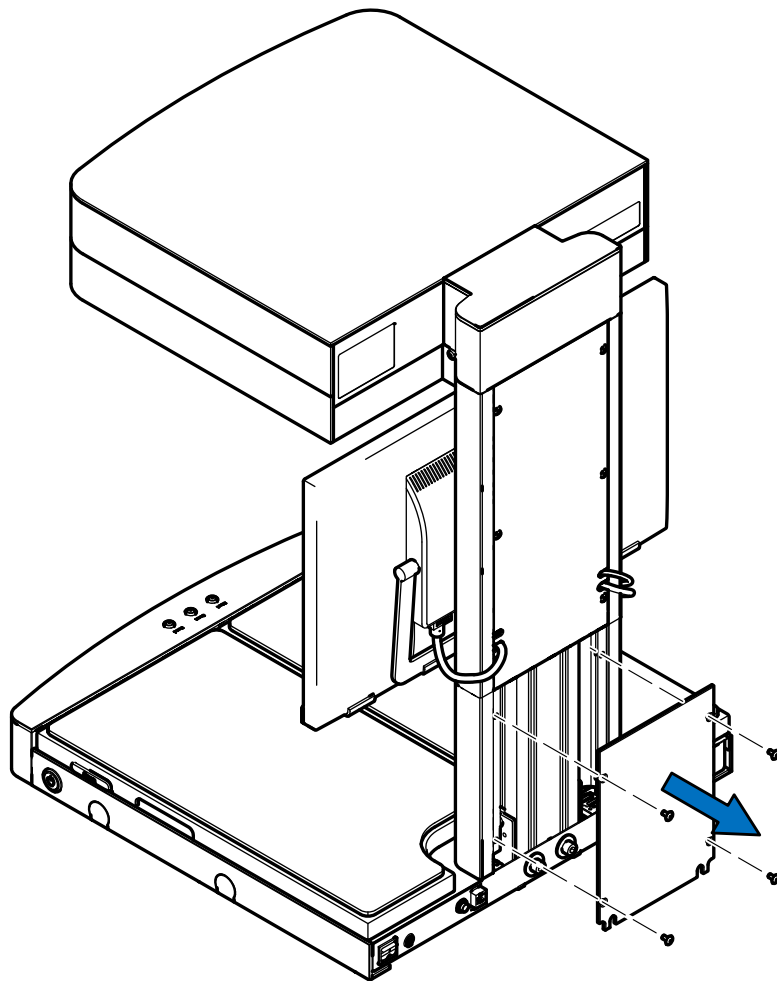
## Scan2Pad for BE5 Kiosk



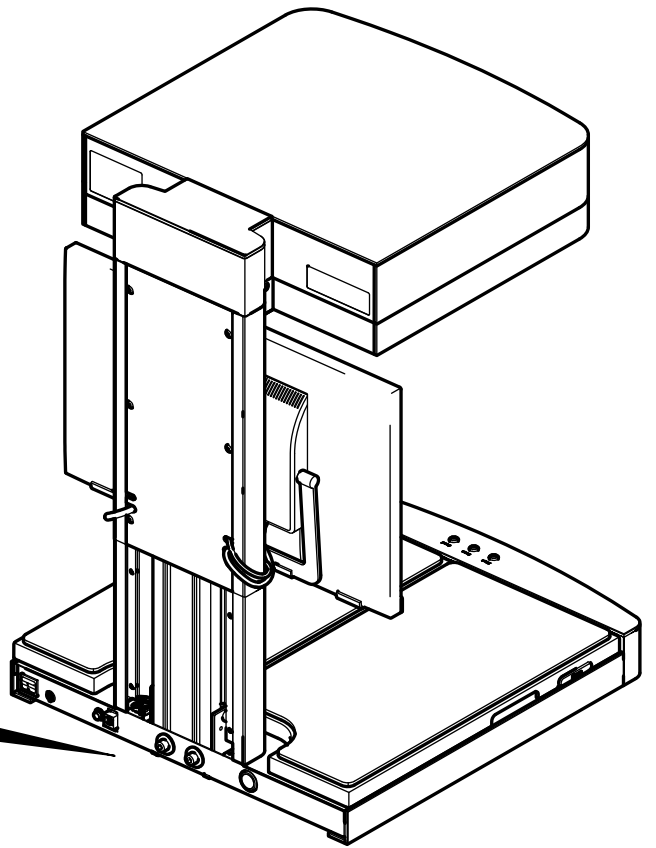
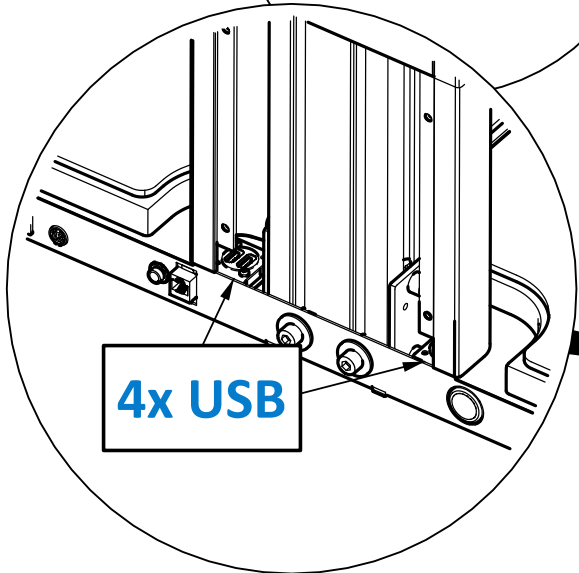
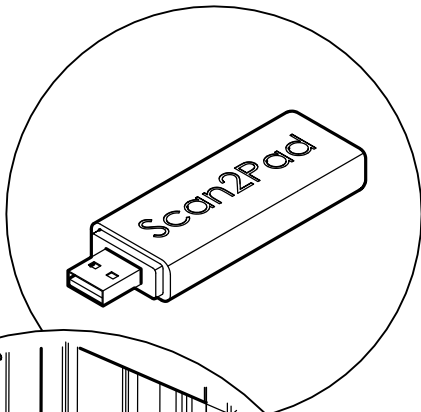
1



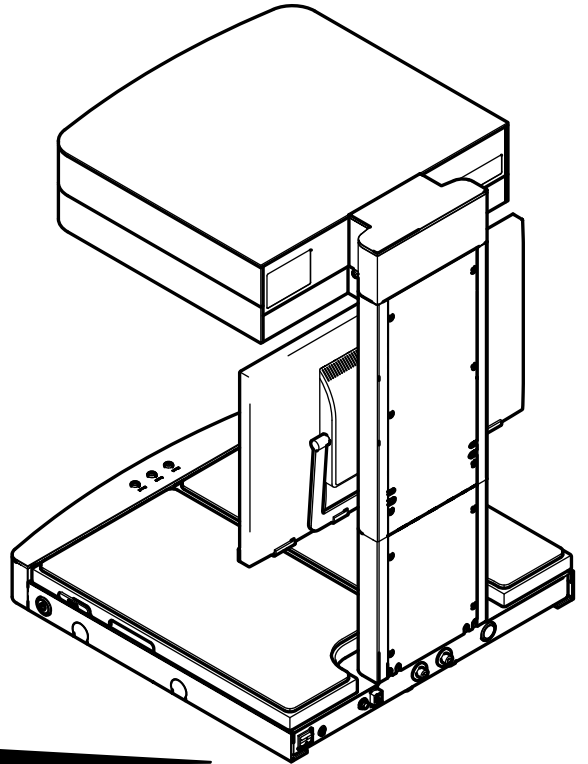
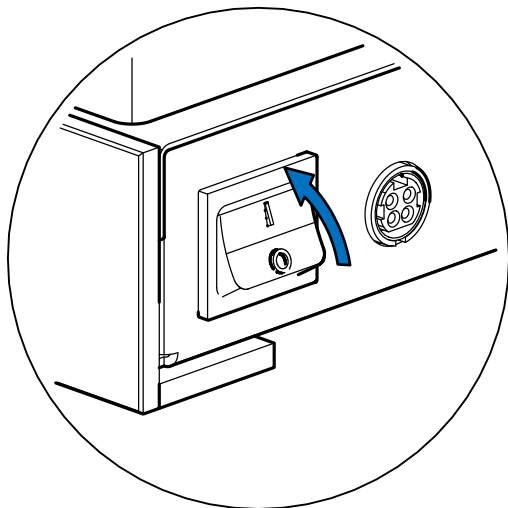
2

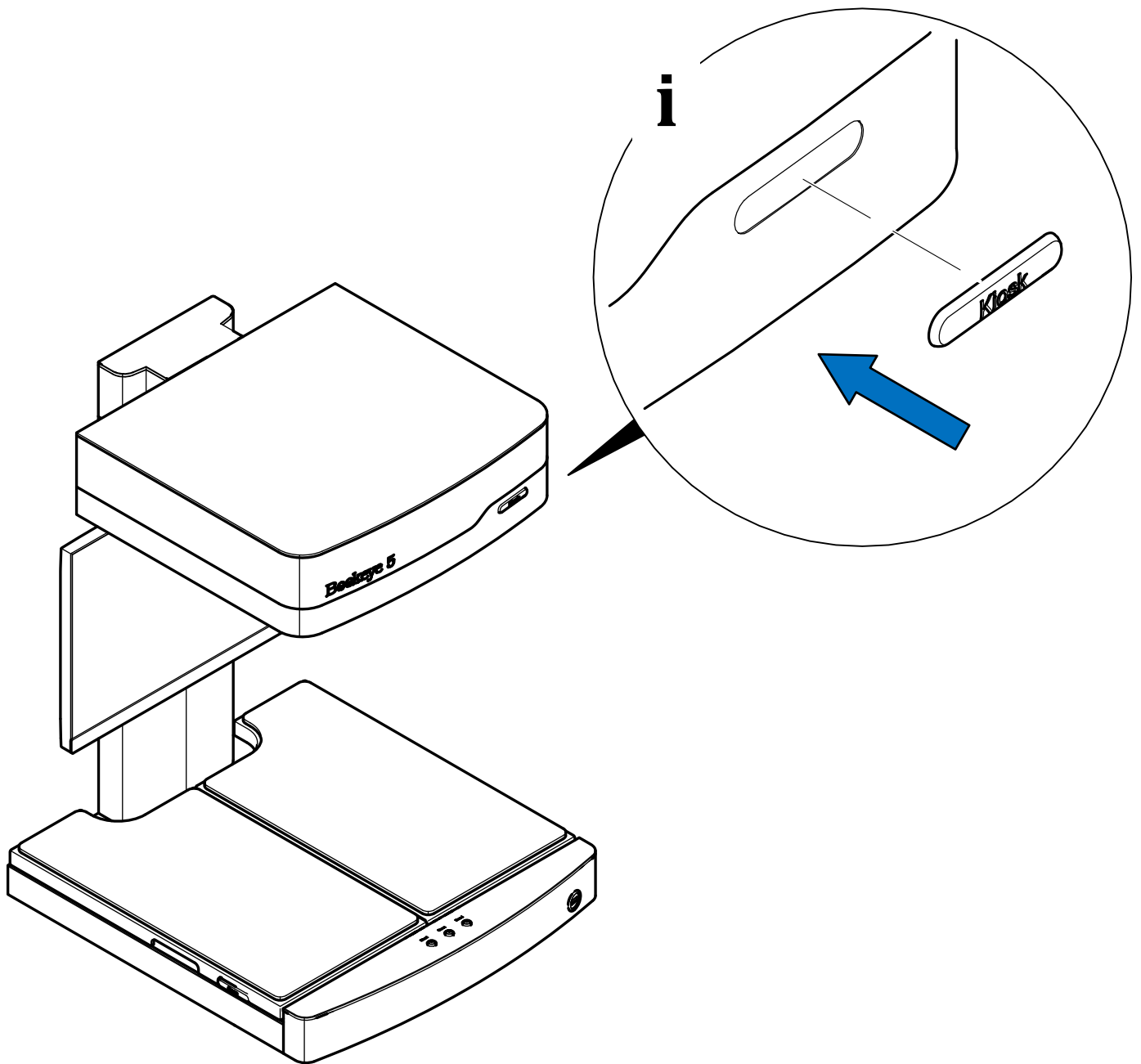


3



4





<http://192.168.1.50>  
→ Setup Device  
→ Poweruser  
→ Network Configuration  
→ WLAN (Basic Settings)