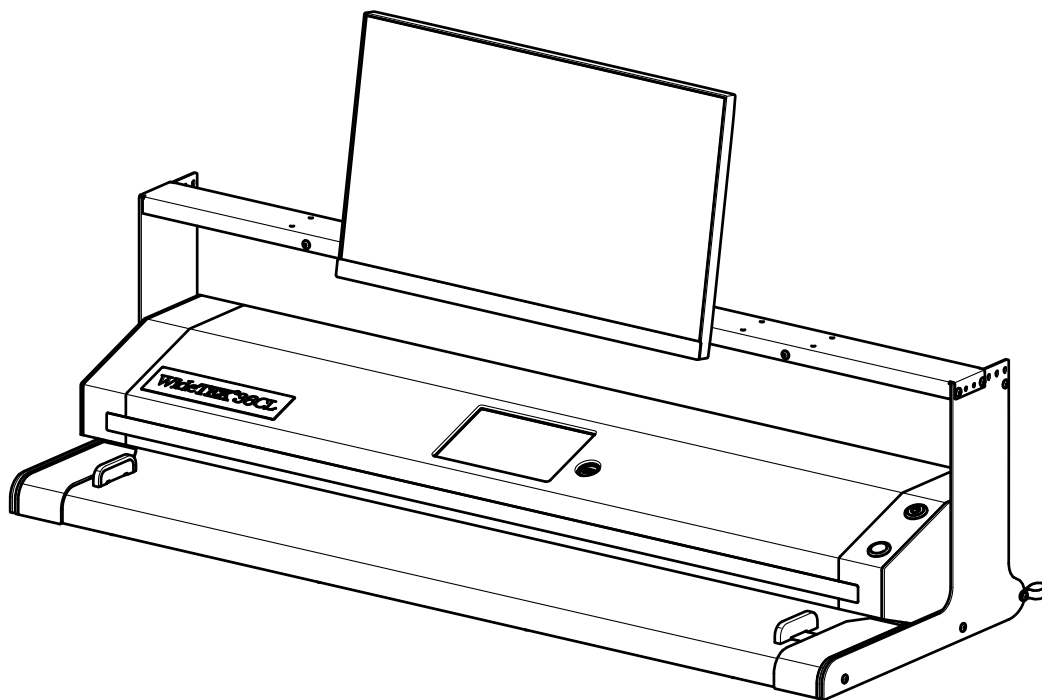
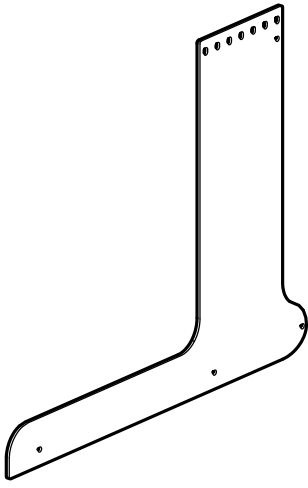


# Assembly Instructions

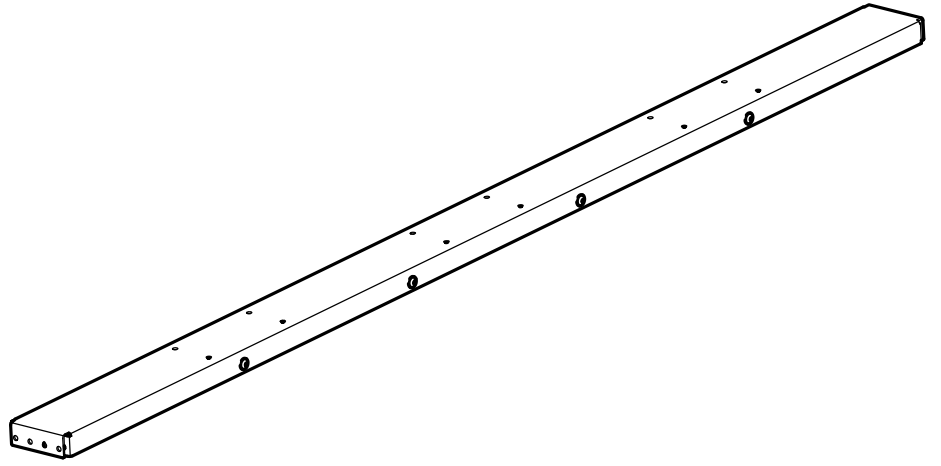
Montageanleitung, Instrucciones de montaje, Instructions de montage,  
Istruzioni per il montaggio, Montage Instructies, Instrukcja montażu,  
Instruções de montage, 組立説明書, Инструкции по монтажу, 装配说明

## WT36CL-SCREEN-BRIDGE / WT48CL-SCREEN-BRIDGE Mounting bridge for touchscreen

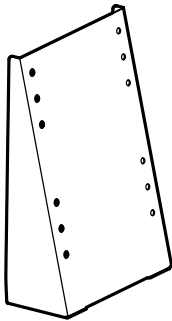




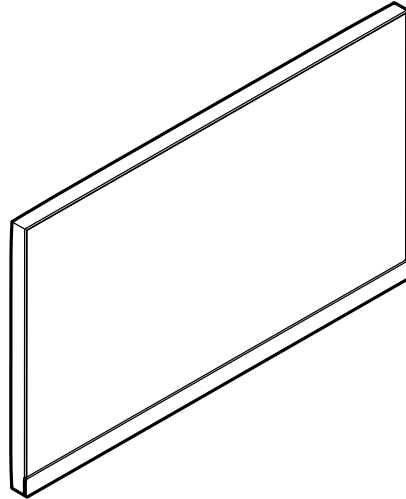
2x



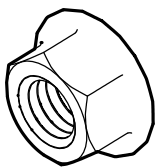
1x



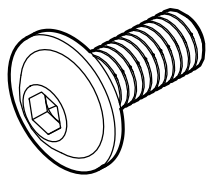
1x



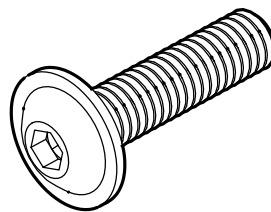
1x



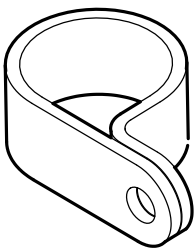
(10+2)x



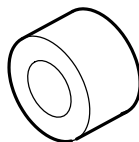
14x



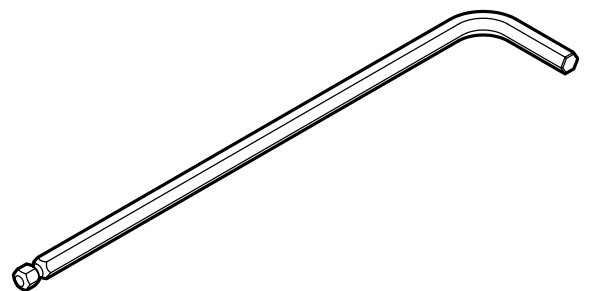
(4+1)x



2x

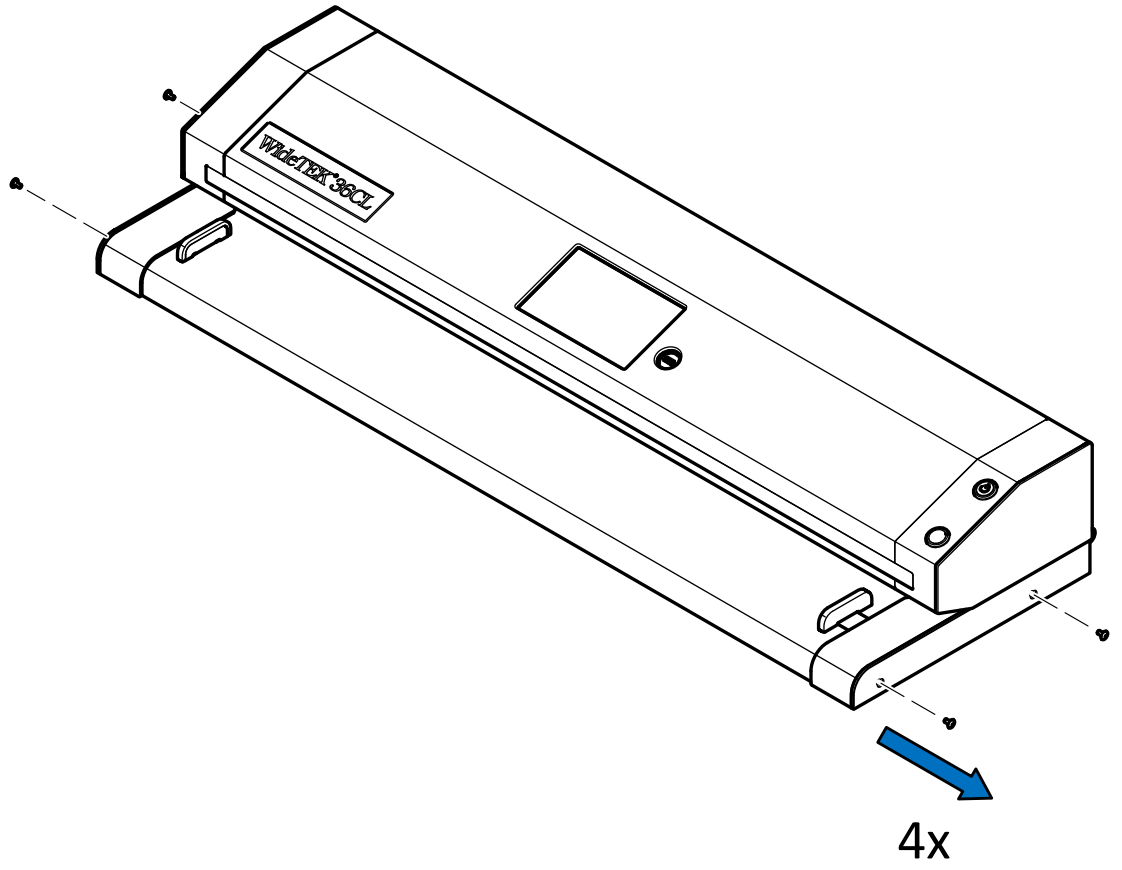


(4+1)x

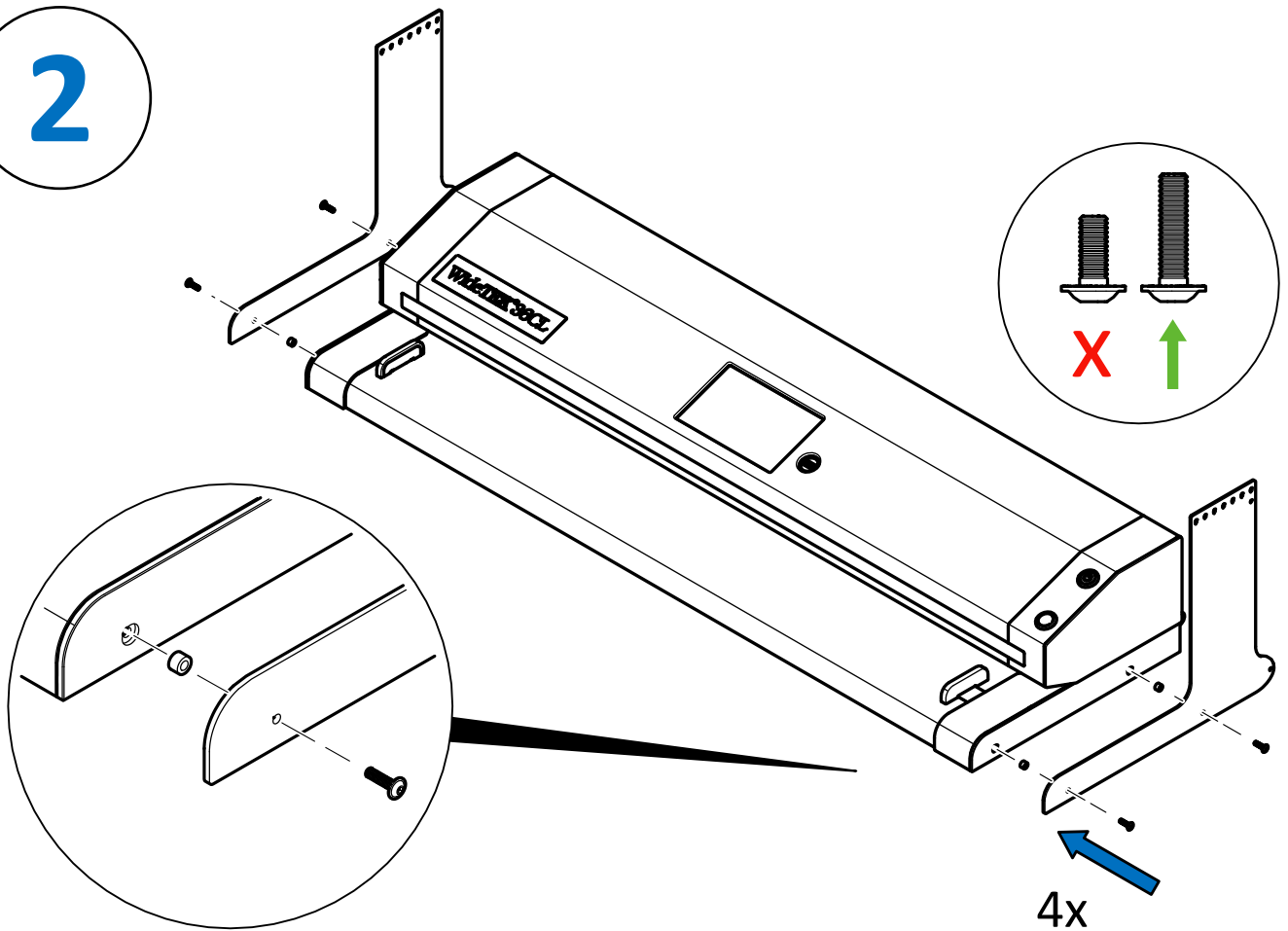


1x

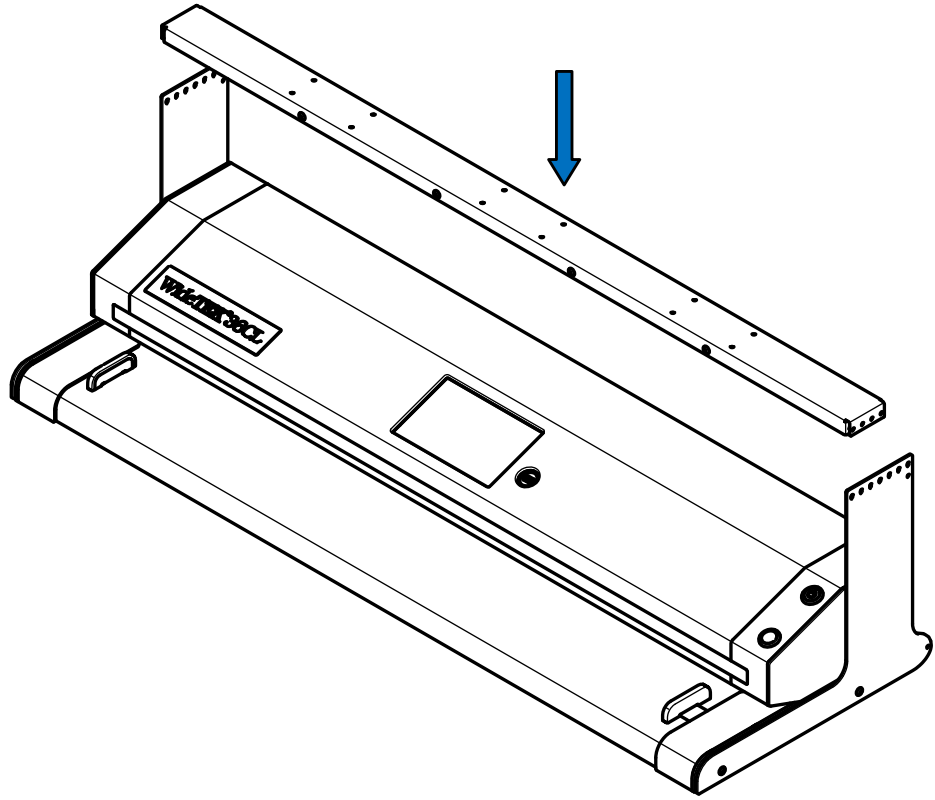
1



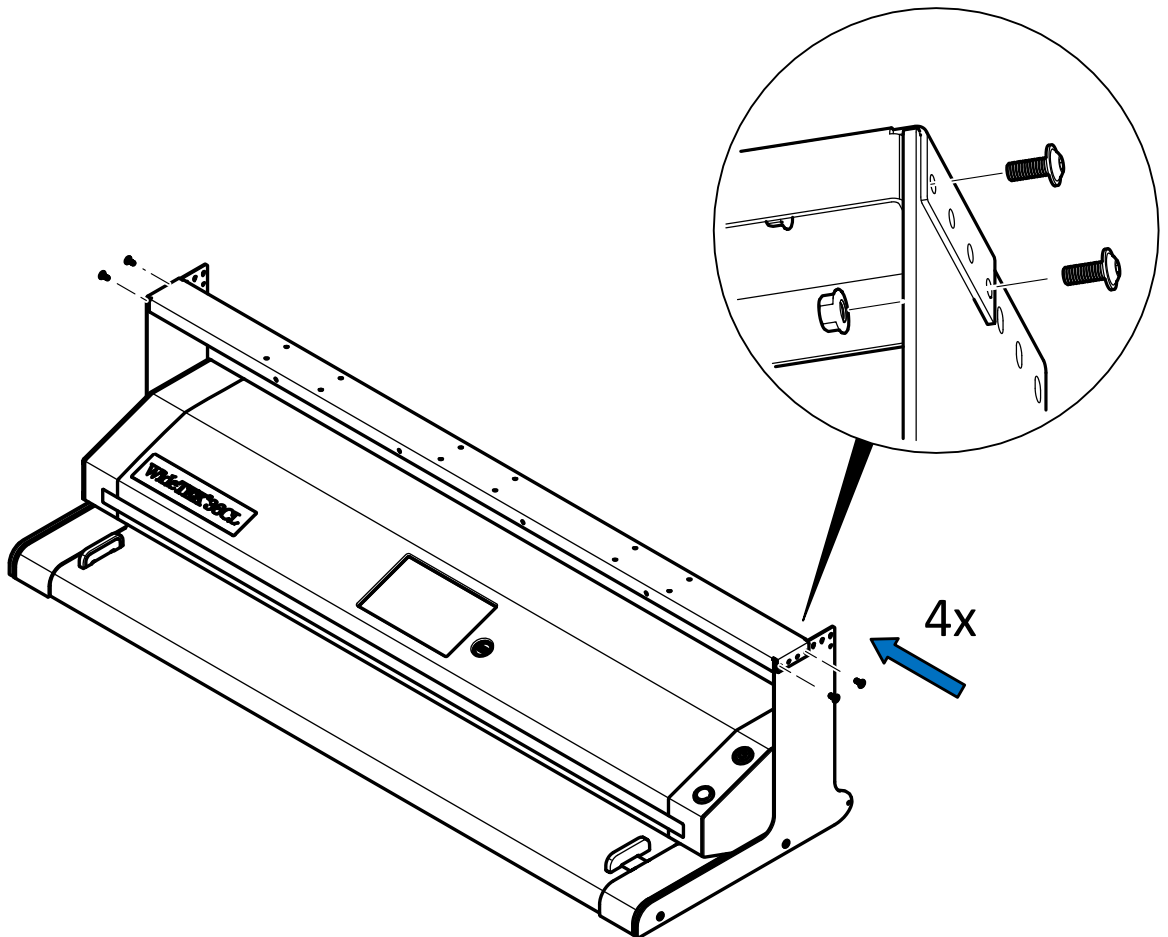
2



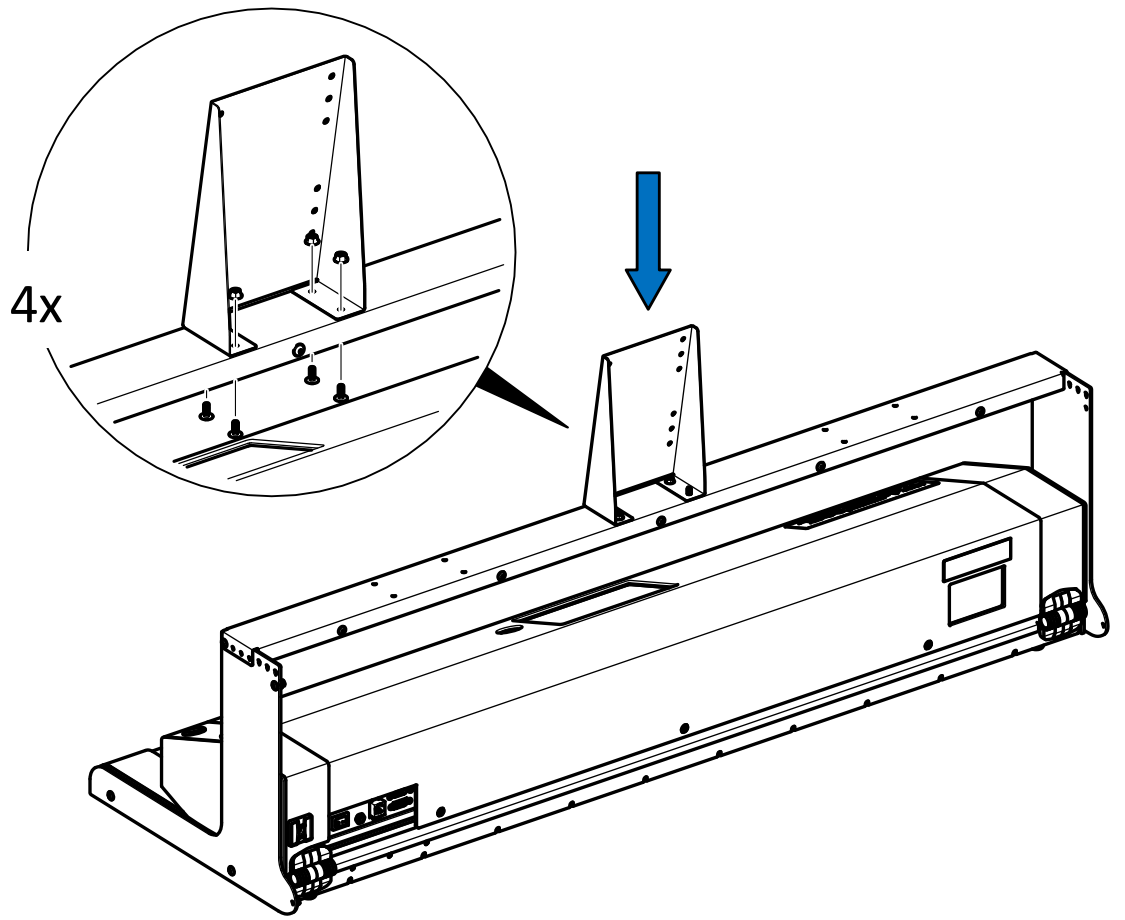
3



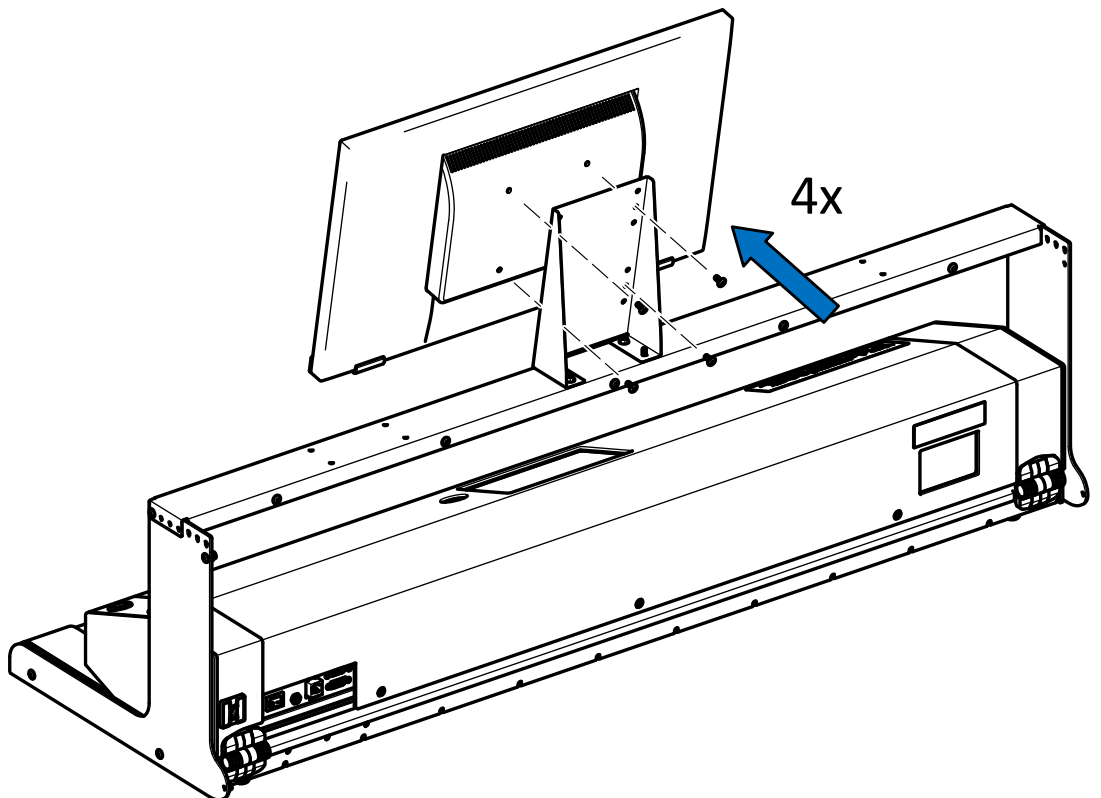
4



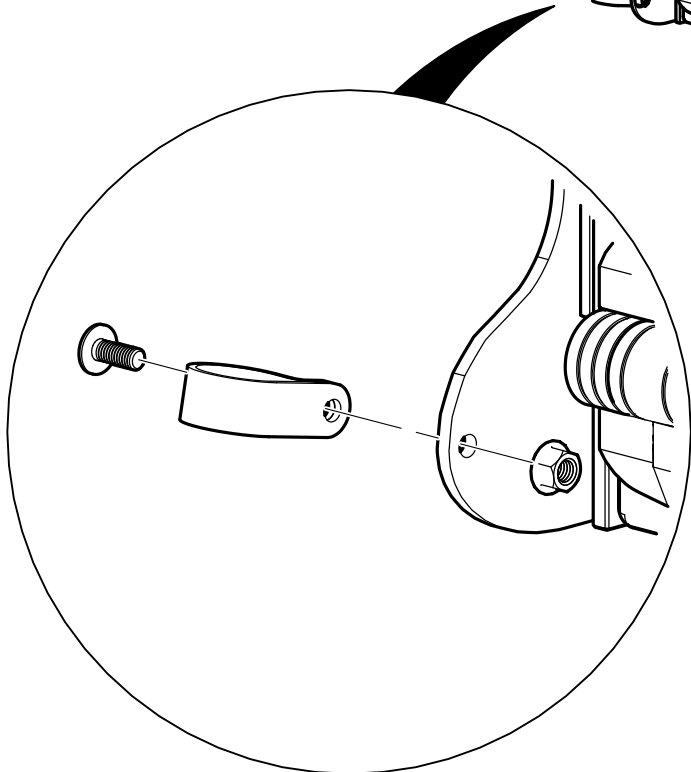
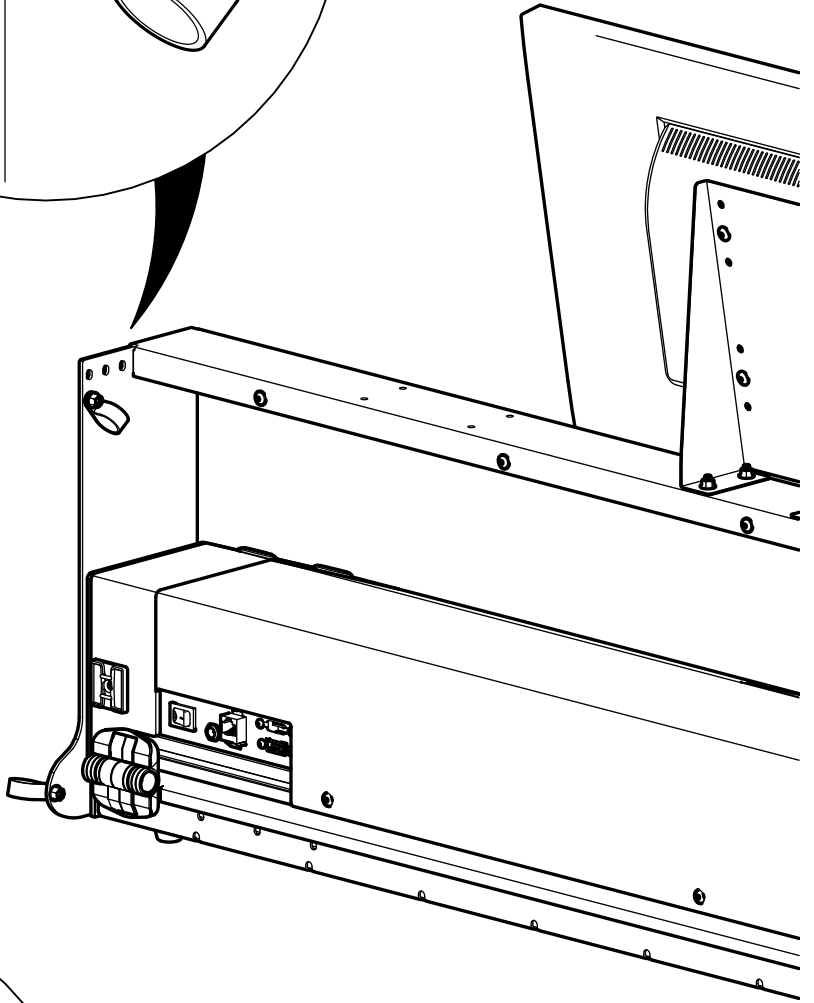
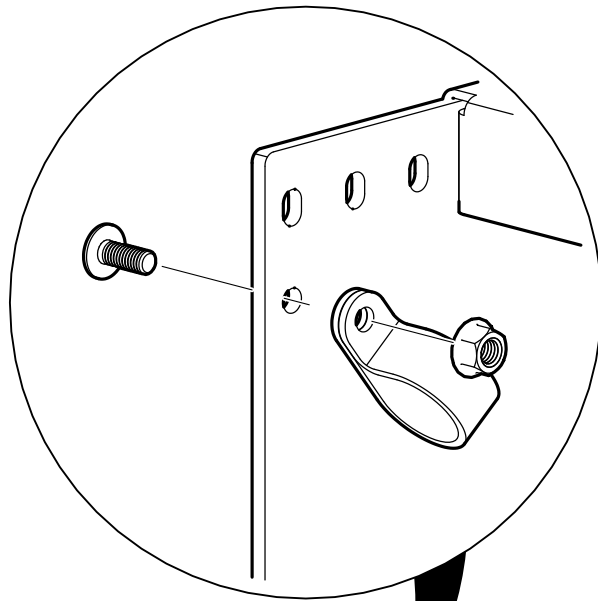
5



6



7



8

